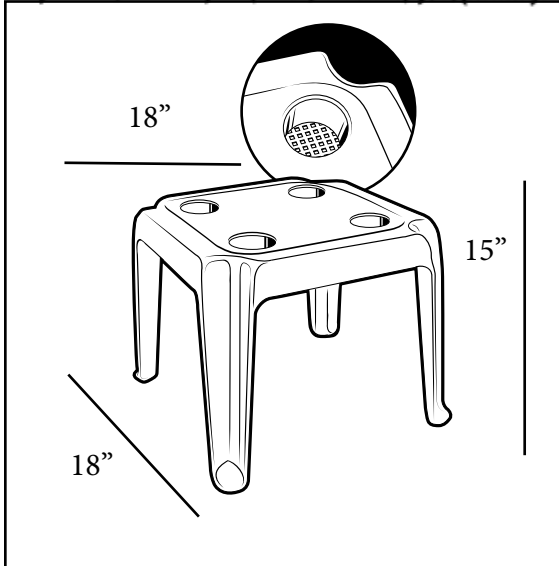




COMMERCIAL RESIN FURNITURE

Your best value for Food Service & Hospitality!



Oasis 18" x 18" Stacking Low Table with Cupholders

Features & Benefits **Warranty: 1 Yr.**

- Built-in cup holders with perforated bottom for easy cleaning.
- Well suited for 16 oz.+ cups.
- One piece molded construction.
- Constructed of 100% prime synthetic resin, a material naturally impervious to salt air, chlorine, and most common food stains.
- Stays cool in the hot sun.
- Stacks for easy storage.
- Essential complement piece for beach, pool decks, and balconies with chairs or chaise lounges.
- Cleans easily with soap and water.

Product Specifications						
Product Description	Reference Number	Color	UPC Code	Weight Each (lbs.)	Master Pack	Master Pack Volume (cu. ft.)
Oasis 18" x 18" Low Table with Cupholders	99018004	White	121796	4.79	14	8.40