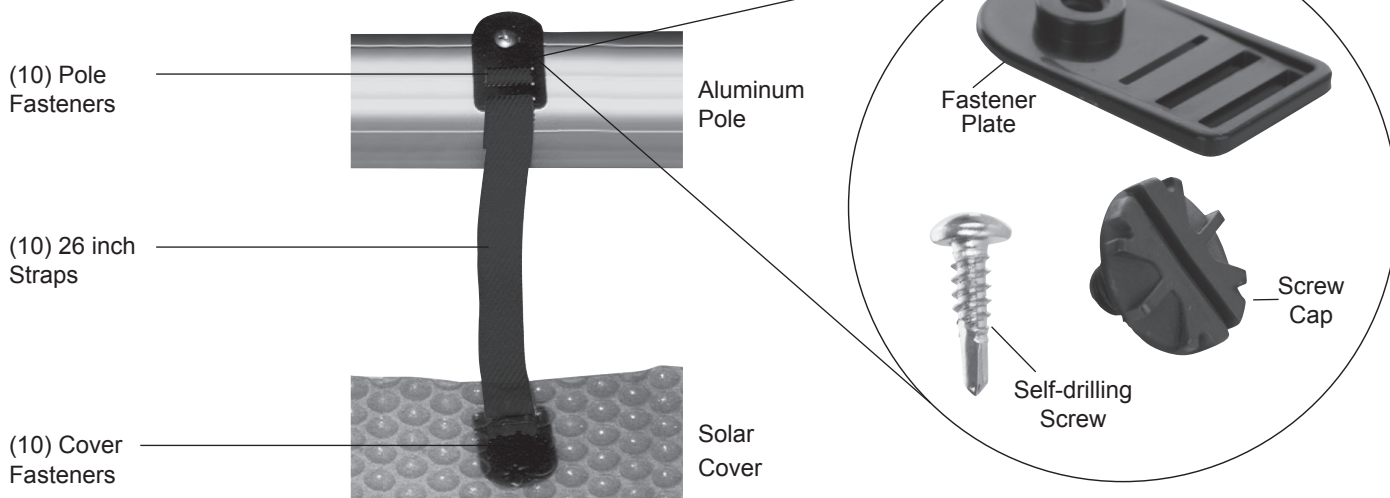


## A Locate ALL Components

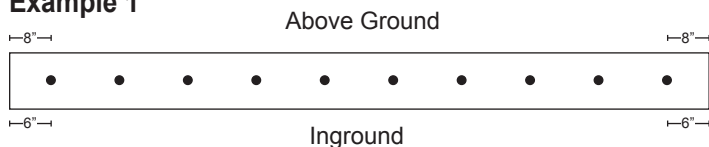
Check inventory of all items illustrated here.



## B Connect Straps to Aluminum Pole

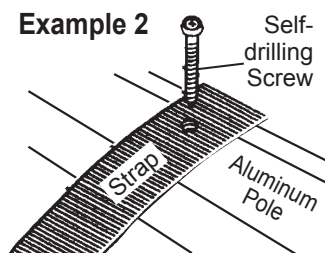
1. Measure 8 inches (above ground) or 6 inches (inground) in from the left side of the aluminum pole and make a mark with a marker. Measure 8 inches (above ground) or 6 inches (inground) in from the right side of the aluminum pole and make a mark with a marker. Make sure you make your markings in a straight line.
2. Inbetween the 2 markings you have made, evenly space out 8 additional markings. These 10 marks are where you are going to drill holes into the aluminum pole. Refer to **Example 1**. **Note:** Drilling the holes and inserting the screws will cause metal shavings, which can damage your pool. To prevent this, remove the reel from the pool area to install the Fabric Straps.

### Example 1



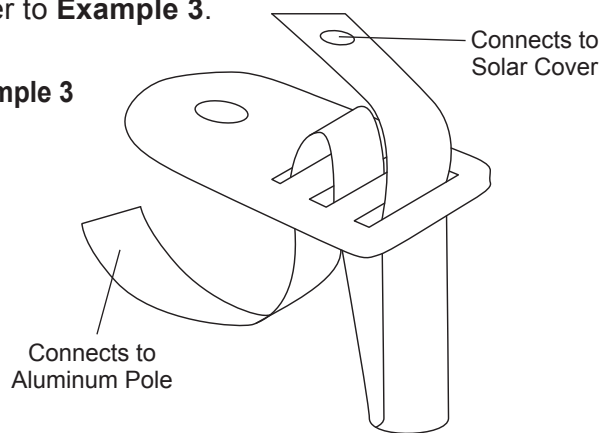
3. Place Fabric Strap on the Aluminum Pole and pre-drill a hole with Self-drilling Screws, using the marks you made as a guide. Refer to **Example 2**.

### Example 2



4. Hold Fastener Plate with the flat side up. From the top, take Fabric Strap End and insert downward through the farthest slot from the hole. Now, take the Fabric Strap and bring it up through the middle slot and then down again through the slot closest to the hole. **Note:** Fabric Strap hole needs to line up with the Fastener Plate hole. Refer to **Example 3**.

### Example 3

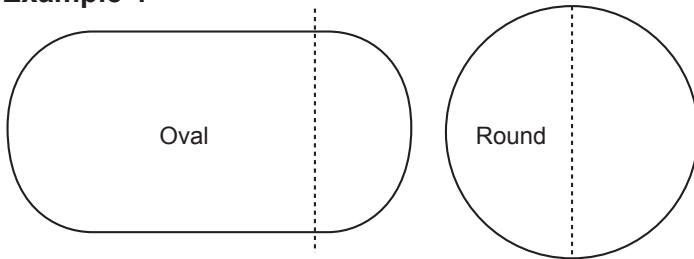


5. Take the Fabric Strap and Fastener Plate and place on top of the Aluminum Pole. **Note:** Make sure the Fabric Strap is inbetween the Aluminum Pole and Fastener Plate. Using the Self-drilling Screws, drill the Fastener Plate and Fabric Strap into the Aluminum Pole using the marks you made as your guide.

### C Connecting Straps to Solar Cover for an Above Ground Oval or Round Pool

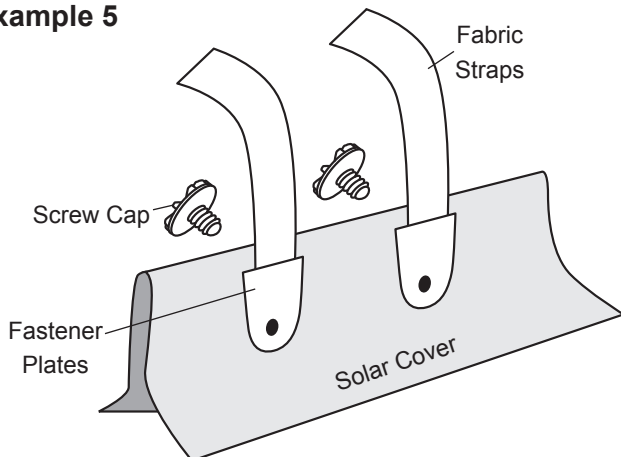
1. Solar Cover should be trimmed to the inside of your pool's top rail. Make sure bubbles are down.
2. Remove Solar Cover from the pool and lay flat on the ground. Then fold Solar Cover. See **Example 4** where you should fold for an oval or round pool. For an oval shape pool, fold the shorter side of the Solar Cover under the larger side.

#### Example 4



3. Line up the Fabric Straps to the folded part of the Solar Cover. Using your marker, make 10 marks on the Solar Cover where each Fabric Strap will be placed. Make sure you make your markings in a straight line. Start with the first mark from the edge of the Solar Cover (right or left side) and work your way to the other side.
4. Take Fabric Strap, center the pre-drilled hole to the mark you made on your Solar Cover.
5. Take a screwdriver and poke a hole through both layers of the Solar Cover.
7. Take the Screw Cap, place it underneath the Solar Cover, push it up through the hole you just made, then through the hole in the Fabric Strap and finally screwing it into the Fastener Plate hole. Repeat this process till all Fabric Straps have been connected to the Solar Cover. See **Example 5**.

#### Example 5



### D Connecting Straps to Solar Cover for an Inground Rectangular Pool

1. Solar Cover should be trimmed to the inside of your pool's top rail. Make sure bubbles are down.
2. Remove Solar Cover from the pool and lay flat on the ground.
3. Line up the Fabric Straps to the folded part of the Solar Cover. Using your marker, make 10 marks on the Solar Cover where each Fabric Strap will be placed. Make sure you make your markings in a straight line. Start with the first mark from the edge of the Solar Cover (right or left side) and work your way to the other side.
4. Take Fabric Strap, center the pre-drilled hole to the mark you made on your Solar Cover.
5. Take a screwdriver and poke a hole through the Solar Cover.
7. Take the Screw Cap, place it underneath the Solar Cover, push it up through the hole you just made, then through the hole in the Fabric Strap and finally screwing it into the Fastener Plate hole. Repeat this process till all Fabric Straps have been connected to the Solar Cover. See **Example 6**.

#### Example 6

