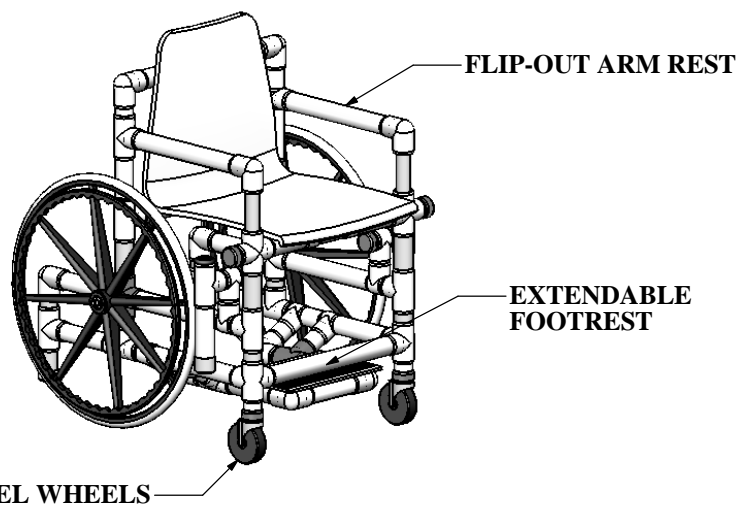
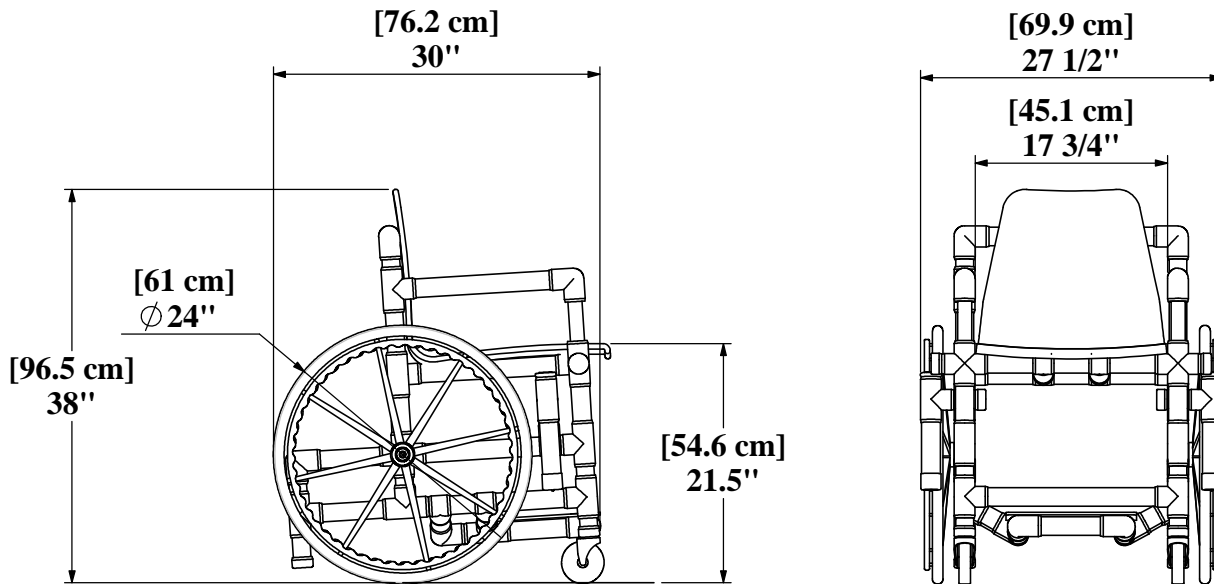


POOL ACCESS CHAIR PVC



SPECIFICATIONS

THE POOL ACCESS CHAIR PVC FRAME SHALL BE CONSTRUCTED OF ϕ 1-1/4" SCHEDULE 10 FURNITURE GRADE PVC PIPE AND FITTINGS AND BE RATED FOR 250 LBS [113KG]. THE CHAIR SHALL COME EQUIPPED WITH AN EXTENDABLE FOOTREST. THE STANDARD SEAT SHALL BE 18" WIDE AND CONSTRUCTED OF PLASTIC. THE CHAIR SHALL COME EQUIPPED WITH DUAL LOCKING BRAKES. THE CHAIR SHALL BE EQUIPPED WITH A FLIP-OUT ARM REST TO ALLOW FOR EASY TRANSFERS. THE REAR WHEELS SHALL BE A GRAY NON-SKID STYLE WHEEL WITH USER GRIP. THE FRONT WHEELS SHALL BE A 4" RUBBER WHEEL WITH STAINLESS STEEL SWIVEL.



9889 GARRY MORE LANE
 MISSOULA, MT 59808
 (406) 549-0769
 FAX (406) 549-2602

NOTE:
 *SPECIFICATIONS ARE SUBJECT TO CHANGE WITHOUT NOTICE
 *ALL DIMENSIONS ARE IN INCHES

PRODUCT:	F-011PAC	
DWG #:	F-011PAC-1	
SCALE:	1:18	DATE: 12/21/15
DRAWN BY:	KR	REVISION: G