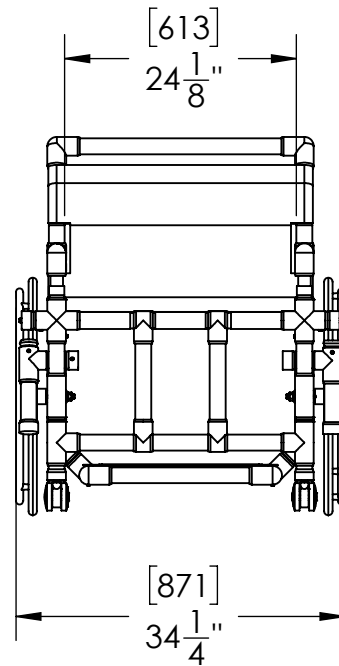
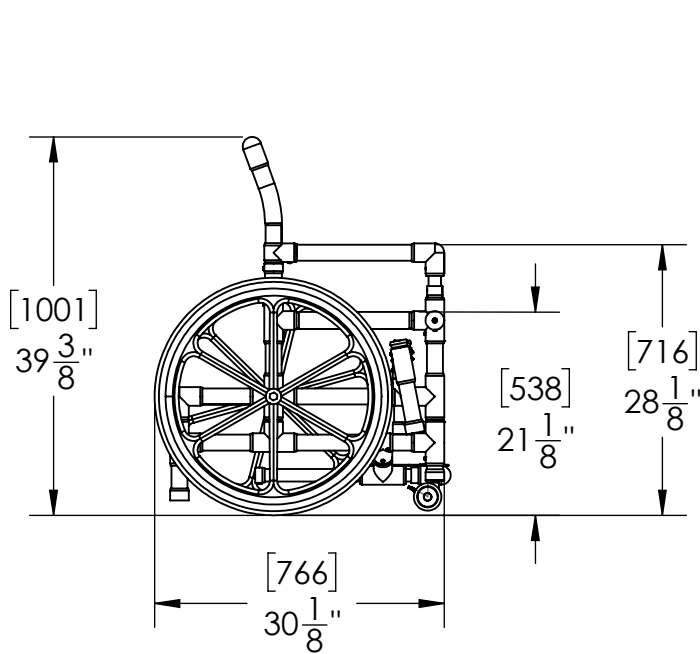


PVC POOL ACCESS CHAIR - 24 INCH WIDE MESH SEAT



SPECIFICATIONS:

THE PVC POOL ACCESS CHAIR WITH 24 INCH WIDE MESH SEAT SHALL BE CONSTRUCTED OF ϕ 1-1/4" SCHEDULE 10 MEDICAL GRADE PVC PIPE AND FITTINGS. IT WILL BE RATED FOR 425 lbs [193 kg]. THE CHAIR SHALL COME EQUIPPED WITH AN EXTENDEDABLE FOOTREST. THE MESH SEAT SHALL BE A MINIMUM OF 24" WIDE AND UPHOLSTERED FROM MOLD AND MILDEW RESISTANT MATERIAL THAT IS SUITABLE FOR IMMERSION IN A POOL OR SPA. THE CHAIR SHALL COME EQUIPPED WITH DUAL LOCKING BRAKES AND SWING AWAY ARMRESTS TO ALLOW FOR EASY TRANSFERS. THE REAR WHEELS SHALL BE A NON-SKID STYLE WITH USER HAND RINGS. THE CASTERS SHALL BE ϕ 3" MRI RATED SWIVAL TYPE.

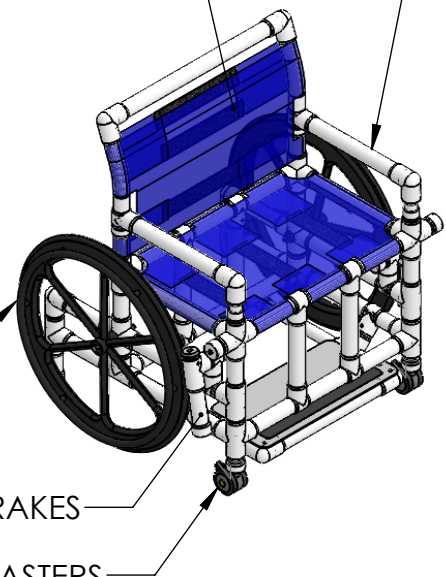
SWING AWAY ARMRESTS

REMOVABLE MESH SEAT

24" NON-SKID WHEELS

LOCKING BRAKES

ϕ 3" MRI SWIVAL CASTERS



9889 GARRYMORE LANE
MISSOULA, MT 59808
(406) 549-0769
FAX (406) 549-2602

NOTE:
*SPECIFICATIONS ARE SUBJECT TO CHANGE WITHOUT NOTICE

| | | |
|-----------|------------|-----------------|
| PRODUCT: | F-520XWSPM | |
| DWG #: | 1 OF 1 | |
| SCALE: | 1:20 | DATE: 12/9/2016 |
| DRAWN BY: | EF | REVISION: A |