

⚠️ WARNING

To reduce the risk of drowning, entrapment, falls, paralysis, electrocution, or other serious injury or death:

Dealer/Installer: Give manual to homeowner.

Installer: Read "**Safe Installation**" on page # 2 and all instructions before beginning. For proper assembly and installation, instructions must be followed completely.

Homeowner: Read "**Safe Use**" on back cover before using. Save these instructions.

Installation must comply with local codes and may require permits.

MODEL #635-52X

INPOOL LADDER

Adjusts to fit pool deck heights 46" to 56"

Ladder must be attached to deck

WEIGHT LIMIT 250 LBS.

ASSEMBLY, INSTALLATION AND USE MANUAL

Assembly video available online: www.conferplastics.com



**Scan to
see our
Installation
Videos**

***Model 635-52X is a
straight up-and-down
ladder and should be
installed 3" to 6" from
the pool wall.**



**Note: 10 Lbs of
sand required
(See Step 2)**



Proudly Made in U.S.A. by

CONFER
plastics inc.

Model #635-52X Inpool Ladder

Ladder must be attached to deck

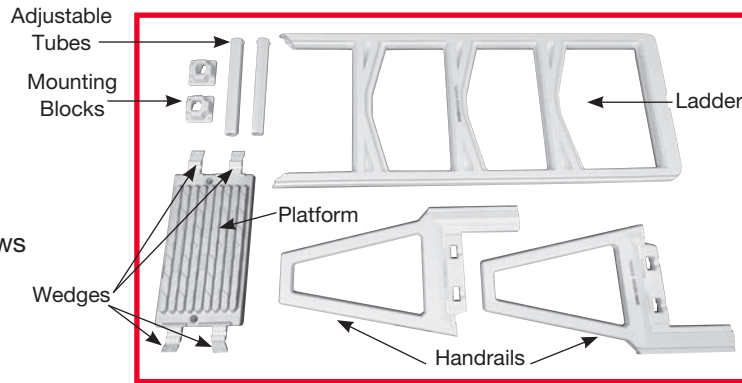
If missing parts call - Toll free U.S./Canada - 800-635-3213 or www.conferplastics.com

Parts List

- 2 - Handrails
- 1 - Ladder Section
- 1 - Platform with wedges attached

Hardware Pack

- 14 - #10 x 1-1/4" Screws
- 1 - Threaded Cap
- 2 - Mounting Blocks
- 2 - Adjustable Tubes



Tools Needed for Assembly

- * Sand - 10 lbs
- * Cordless Drill
- * 1/8" Drill Bit
- * Phillips Screwdriver
- * Tape Measure
- * Liquid Soap or Lubricant

Safe Installation



WARNING To reduce the risk of electrocution, drowning, entrapment, falls, or other serious injury or death:

Check building codes/permitting. Consult your local Building Department before installation of your pool and equipment. Pool/equipment installation must comply with the codes of the authority having jurisdiction and may require permits (e.g., building, plumbing, electrical, zoning, etc.). Be sure that barriers (fences, gates, etc.) restricting pool access meet local codes.

Use for intended purpose only

- Use only as a swimming pool ladder.
- This ladder is designed and manufactured for a specific pool wall height and/or deck of the pool - check product specification and the height of your pool.

Check that you have all required parts. Check the contents of the carton with the Parts List for this ladder. All parts and hardware are required. If any parts are missing, **DO NOT attempt to assemble or install the ladder.** Instead, call Toll Free U.S. - 800-635-3213 or visit our web site at www.conferplastics.com for assistance.

Select an appropriate location - The ladder must be located on a level, solid base and in a location that will be in full view of competent adult supervision when in use.

Follow all instructions

- For stable, correct assembly and installation, all instructions must be followed completely and in the sequence shown.
- Follow the manufacturer's recommendations for the safe use of all hand tools and equipment used during installation.

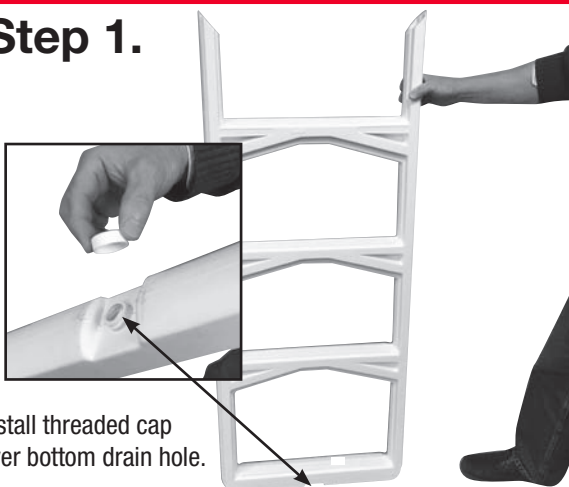
Cordless drill only - no corded drills near pool. Use a cordless drill for assembly and installation. To reduce the risk of electrocution, NEVER use a corded drill in or around a pool.

Lift safely. When lifting awkward or heavy loads, have another person help you.

Double check after installation

- Before using the product, after assembly and installation, go over the instructions and procedures again to make sure nothing has been overlooked.
- Make sure that safety labels are installed and legible.

Step 1.



Install threaded cap over bottom drain hole.

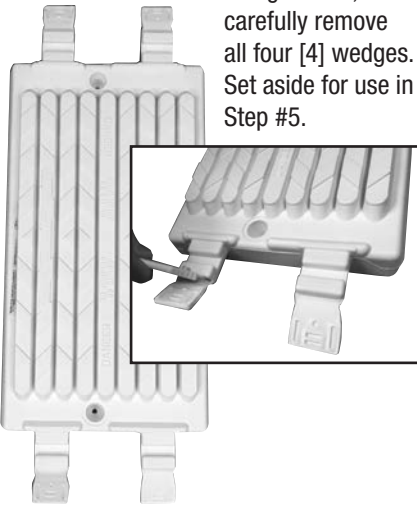
Step 2.



Pour 5 lbs of sand into each leg. Fill remainder with water.

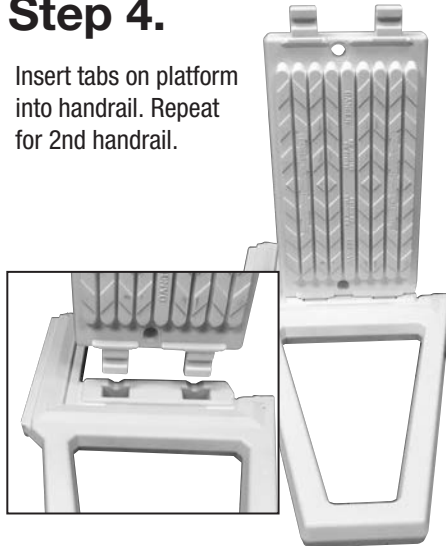
Step 3.

Using a knife, carefully remove all four [4] wedges. Set aside for use in Step #5.



Step 4.

Insert tabs on platform into handrail. Repeat for 2nd handrail.



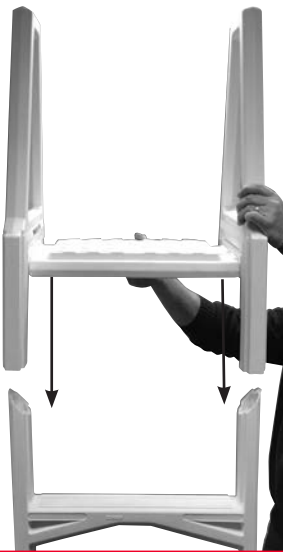
Step 5.



Insert wedge into handrail just below the platform tab. Tap with a rubber mallet. Repeat to install for the remaining three wedges.

Step 6.

Slide the handrails onto the legs. **DO NOT** secure with screws at this time.



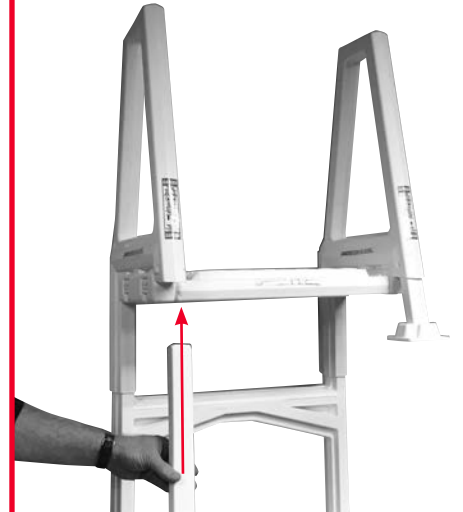
Step 7.



Spread some dish soap on the adjustable tubes to allow them to slide easier. Insert tube into mounting block and slide all the way down until resting on the nubs.

Step 8.

Push the adjustable tubes up into the handrails.



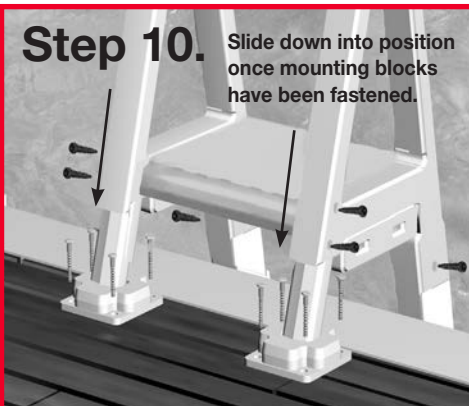
Step 9.



Place the ladder into the pool and position mounting blocks on deck. Slide the adjustable tubes up or down as needed until mounting blocks are sitting flush on the deck. Ladder **MUST** rest on pool bottom. If not, EB100 riser(s) are required. (See page 4 to order)

Step 10.

Slide down into position once mounting blocks have been fastened.



Drill four pilot holes (1/8") through holes in each block into wood surface. Fasten blocks to deck using the four #10 x 1-1/4" screws per mounting block. Drill three holes through each side of each handrail at the pre-marked locations. Fasten using three #10 x 1-1/4" screws.

WARNING! Using a corded drill near pool may result in electrocution.

Safe Use

! WARNING

To reduce the risk of drowning, entrapment, falls, paralysis, or other serious injury or death:

Use ladder properly.

- **No diving or jumping from ladder** - shallow water; risk of paralysis or death.
- FOR ENTRY/EXIT OF POOL, FACE THE LADDER AT ALL TIMES.
- ONE PERSON ON THE LADDER/STAIR AT A TIME.
- To reduce the risk of entrapment or drowning, DO NOT swim through, behind or around ladder.
- Illuminate the ladder when using the pool at night.

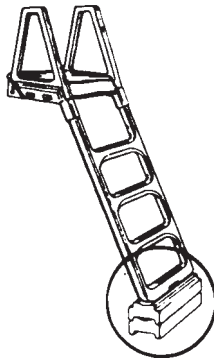
Weight limit - 250 lbs maximum. Exceeding maximum weight may cause the ladder to fail.

Secure ladder when not in use. When pool is not in use, make sure gate is closed and locked.

Watch children at all times when they are in or around water to help prevent drowning.

BE SURE AND SAFE. The manufacturer **IS NOT** responsible for improper assembly Installation and use.

ADDITIONAL ACCESSORIES MAY BE PURCHASED



EB 100-3\"/>

Used to raise ladder when deck is built higher than pool. Maximum 2 risers. Fill with sand and water, rest ladder on top. Straps included.

Order online at www.conferplastics.com

WINTERIZING: WINTERIZING: Unfasten the ladder from the adjustable tubes and remove from water. Lay the ladder on its side to drain. It will take several minutes for the water to drain out of the ladder rails and treads. A small amount of water left in the ladder will not cause any damage. To reinstall, see Step #9.

CONFER PLASTICS INC. FIVE YEAR WARRANTY

Confer Plastics Inc. warrants their swimming pool ladders and spa products to be free from defects in workmanship for five years from date of purchase.

DO NOT RETURN DEFECTIVE PART TO DEALER

E-MAIL CONFER PLASTICS AT: LADDERS@CONFERPLASTICS.COM
A PICTURE [S] OF DEFECTIVE PART, A BRIEF DESCRIPTION OF PROBLEM,
PROOF OF PURCHASE AND YOUR CONTACT INFORMATION.

INFORMATION MAY ALSO BE FAXED TO CONFER PLASTICS AT: **716-694-3102**
OR MAILED TO THE ADDRESS BELOW. UPON REVIEW OF THE INFORMATION YOU
WILL BE NOTIFIED IF PART IS COVERED UNDER THE WARRANTY AND
THE SHIPPING/HANDLING CHARGES.

This warranty gives you specific legal rights, and you may also have other rights which may vary from state to state.
Confer Plastics Inc., 97 Witmer Road, North Tonawanda, N.Y. 14120-2421

MADE IN THE USA



CONFER
plastics inc.

97 Witmer Road

North Tonawanda, New York 14120-2421

Toll Free U.S. 800-635-3213

FAX 716-694-3102

www.conferplastics.com

Printed in USA

REV.10/20