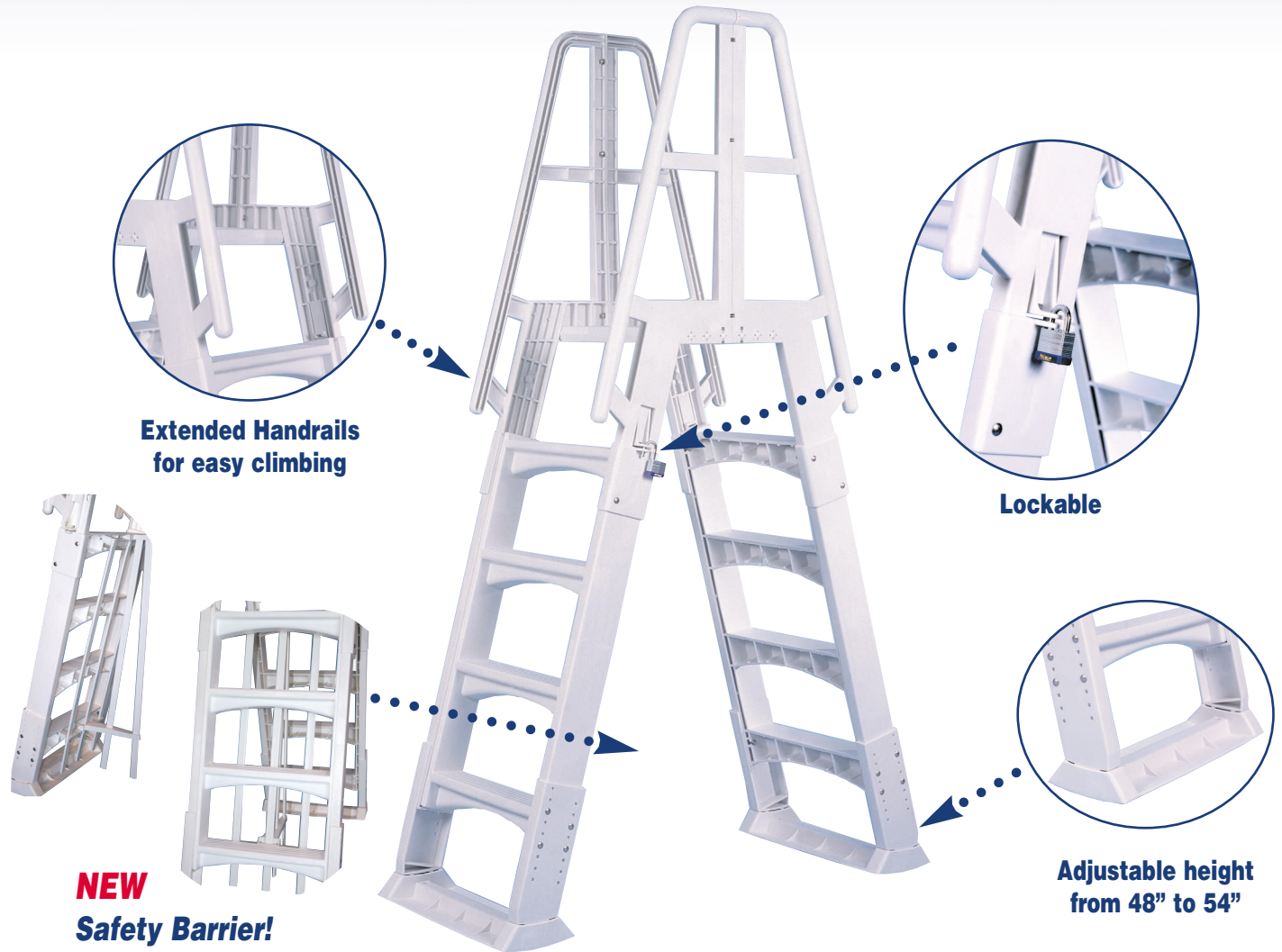


SLIDE LOCK ladders

by **VinylWorks**
CANADA



ADDITIONAL FEATURES

- Rigid frame to eliminate racking
- Extra tread for easy climbing
- Pivotal base treads
- Center handrail post to accept Vinyl Works' pool fencing
- Match-marked for easy assembly
- Maintenance free resin with stainless steel hardware
- Anti-skid tread and top platform surfaces
- 300 lbs. load capacity
- NEW safety barrier to prevent swimming through or behind ladder included with each unit



Exterior ladder in up & locked position



A-Frame ladder with Model AFS10 Stabilizer (sold separately)

for our complete product line visit...
www.vinylworkscanada.com



MODEL SLA001-2 “SLIDE-LOCK” A-FRAME LADDER **FEATURES & SPECIFICATIONS**

- Vinyl Works Canada manufactures this pool ladder to meet or exceed NSPI/BOCA/ANSI requirements for above ground/on ground pool ladders
- The Model SLA001 a-frame ladder is manufactured using maintenance free resins with stainless steel hardware. Ladders available in either white, tan or gray
- The ladder is adjustable from 48" to 54" for proper installation requirements and stability (Maximum adjustment from 47¾" to 56½")
- This ladder is packaged in one easy-carry carton and can be shipped via UPS (courier). The ladders are palletized in quantities of 15 (44" x 48" pallet), 420 per truckload
- This a-frame ladder is designed for load bearing weight of 300 lbs./one person
- This ladder features permanently embossed signage and verbiage specifying NO DIVING / NO JUMPING; DO NOT SWIM THROUGH, AROUND OR BEHIND LADDER and to SECURE LADDER WHEN NOT IN USE (all required signage)
- This a-frame ladder features a “*slide-lock*” design. The exterior ladder section can slide up and can be locked to form an additional entry barrier for greater security (lock not included)
- The ladder features four treads on both sides and a top platform tread. The ladder treads measure 17¼" wide x 3½" deep. The tread rise measures 10¾" high. The top platform measures 18½" wide x 11½" deep. All treads and top platform have anti-skid surfaces
- The ladder is supported on two base treads on both sides of the pool. Each base tread is pivotal and can be rotated to ensure a solid, level base for greater stability. The pivotal base tread is also designed as not to damage the pool liner
- A double, extended handrail on both sides of the ladder assists both entry and exit of the pool. The handrails are extended an addition 10" downward on both sides of the ladder to facilitate climbing from all treads
- The ladder is required to be secured to the pool structure for greater stability. Easy “J Hook” clamps are provided with each ladder for this purpose. Holes DO NOT need to be drilled in the pool top rail to stabilize the unit. If using this ladder with soft-sided or inflatable pools we offer an optional A-Frame Stabilizer / RECOMMENDED (sold separately)
- A **Conversion Kit** is available for the ladder (Model SLC401 - sold separately). If a customer decides to build a deck; the Conversion Kit can be used; the ladder is separated and the customer is able to build both an in-pool ladder and a ground to deck ladder and use ALL the parts of the initial a-frame model
- A **Stabilizer** is available for the ladder (Model AFS10 - sold separately). If the a-frame ladder is used with a soft-sided or inflatable pool, the stabilizer is recommended for greater stability of the unit on the exterior of the pool
- The Model SLA001 has been designed to accept/be used with our 24" Resin Pool Fence. The pool fence can attach directly to the a-frame ladder by use of a **Connector Kit** (Model CNK24 - sold separately). When used with the fencing the entire pool can be enclosed and secured (no openings)

IMPORTANT INSTRUCTIONS: Read all instructions completely to become familiar with assembly, safety and proper use of this product. Failure to follow these instructions may result in serious personal injury.

TOOLS REQUIRED: 7/16" socket or nut driver, 7/16" open end wrench, measuring tape, hammer, phillips screwdriver (you may need a 5/16" drill bit, drill and a pencil - see step # 11 for further details & a saw for barrier installation - see accompanying)

SAFETY INSTRUCTIONS AND PROPER USE

- This pool ladder has a 300 lbs. load capacity - one person - when properly assembled & installed
- Your above ground pool has SHALLOW WATER - Absolutely NO DIVING or NO JUMPING into the pool
- Follow accompanying instruction for the assembly & installation of the anti-entrapment barrier
- For entry / exit of the pool, face ladder at all times
- This ladder is designed for use by one person at all times
- When pool is not in use slide up and lock exterior portion of the ladder
- Locate ladder on a solid base and free from high traffic areas
- Secure ladder to top rail of pool for greater stability
- Assemble and install ladder as per manufacturer's instructions. Do not deviate from these instructions
- Keep top platform and treads of the ladder free from obstructions to avoid possible injury. Do not secure any items to the ladder. Such objects (eg. thermometer, play toys, safety ropes) may create the potential for tripping or entanglement
- This product conforms to the latest revision of the ANSI/NSPI-4 standard for aboveground/on ground swimming pool ladders

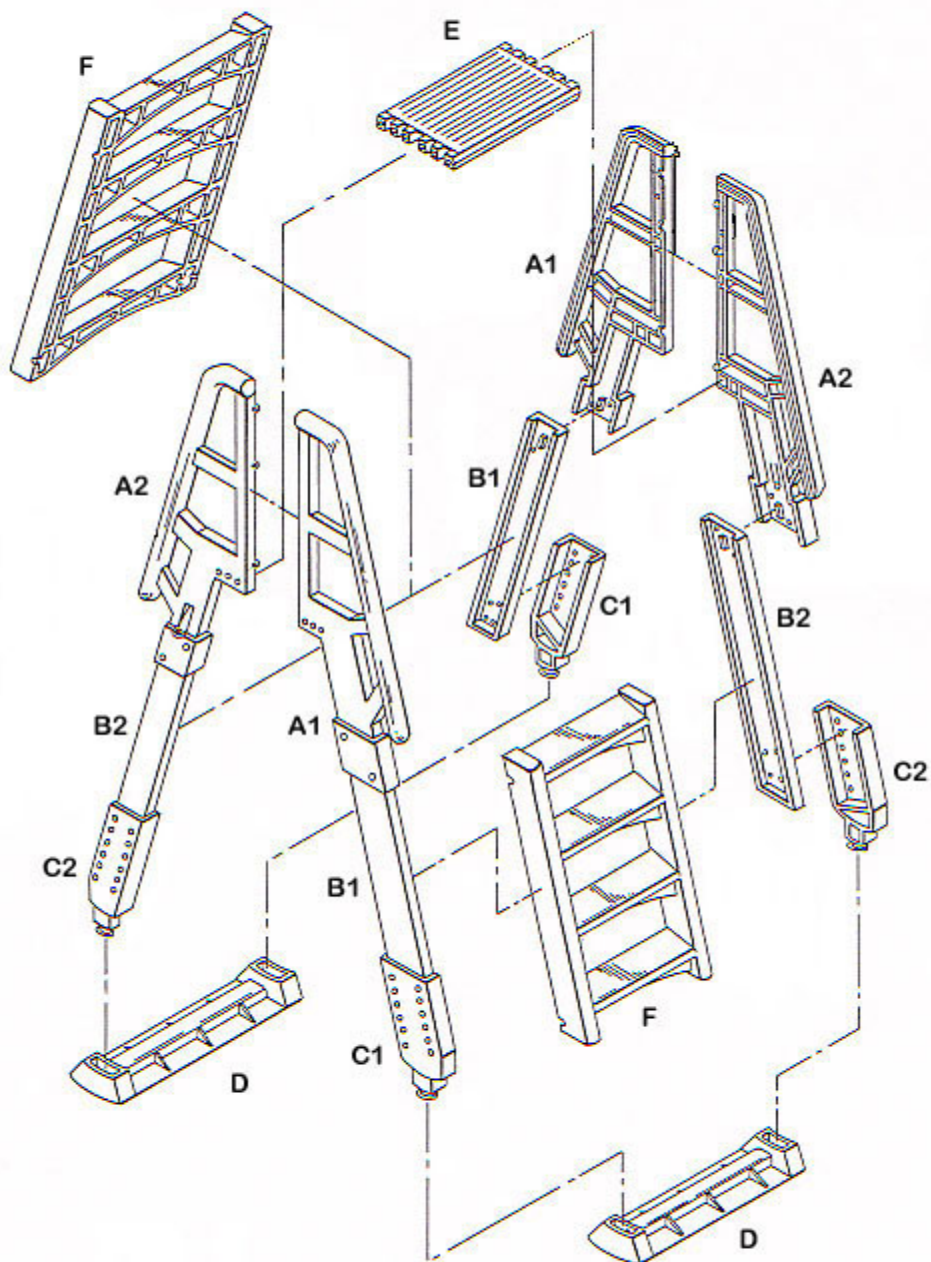
ASSEMBLY & INSTALLATION

- 1 Refer to detailed diagrams on these pages for assistance during the assembly & installation of this pool ladder. All ladder parts are identified by a letter which is stamped directly into each piece. Look for these letters to assist proper assembly
- 2 Fit top platform (E), with anti-skid surface facing upward, into handrail sets (A1 & A2). Gently tap outside of the handrails so the button-lock tabs protrude through and secure platform in place. Repeat for both sides / sets of handrails. See Detail 4
- 3 Secure both sets of handrails (A1 & A2) using H1 bolts, washers & nuts in all 3 locations, from the inside. See Detail 4
- 4 Measure both the inside depth and outside height of the pool to determine the height adjustment of the ladder (see Detail 5). Measure at the point you plan to position the ladder as the measurements may vary around the pool. Be advised, when the ladder is assembled and installed in the pool, the top platform of the ladder should rest just above the top rail of the pool so that the ladder itself, not the top rail of the pool, supports the weight load on the ladder. Thus, add @ 1" to your measurements
- 5 Starting with the in-pool portion of the ladder, attach two support legs to the handrail sockets (B1 + A1 & B2 + A2). The ends of all support legs have a raised tab that fits into channels within the handrail sockets (See Detail 6). Secure this connection using only 1-H1 bolt, washer and nut (Detail 7). Repeat for second support leg. Leave both inside holes free of hardware until Step #9
- 6 Using the inside depth measurement of the pool, determine the position of the adjustable base supports (C1 & C2). There are two measurement guides stamped into the outside of all support legs (48" & 52") to use in setting the base supports to the proper height. Fit the adjustable base supports over the ends of the support legs (C1 + B1 & C2 + B2) and align the bolt holes according to the desired height. Secure using only 3-H1 bolts, washers & nuts as shown in Detail 7. Leave remaining hole free of hardware until Step #9 below. Repeat for second adjustable base support for in-pool portion of ladder
- 7 Fit pivotal base tread onto button-lock tabs of adjustable base supports (D + C1 & C2). Make certain tabs protrude and lock into the center opening of the channels in the base tread. The base tread is pivotal and rotates either direction so the ladder will rest evenly on the bottom of the pool. To prevent liner damage, ensure base tread (D) has no sharp edges and is free of any debris. When rotated to the desired location, secure permanently with screw through each end of tread (see Detail 7-2)
- 8 Gently, flip sub-assembled ladder over to complete exterior portion (see Detail 8). Attach two remaining support legs to the handrail sockets (B1 + A1 & B2 + A2). Secure this connection using 2-H1 bolts, washers & nuts. Repeat for second support leg. Using the same method in Step #6 above, but with the exterior measurement, fit the two adjustable base supports over the ends of the support legs (C1 + B1 & C2 + B2). Align bolt holes to desired height and secure using 4-H1 bolts, washers and nuts for each support base. Attach pivotal base tread similar to Step #7 above. Make certain all hardware is tightened
- 9 Stand ladder in the upright position. For both in-pool and exterior portions of the ladder, fit ladder sections (F) into assembled frame by sliding them down the channels of the handrail sets (top to bottom - Detail 9). Ensure anti-skid treads face upward. Pull out locking mechanism so the ladder section will slide to the down position. For the in-pool portion, secure the ladder section in place using 4-H2 bolts, washers & nuts in the four locations where hardware was not used above (Step 5 & 6). **IT IS VERY IMPORTANT THESE CONNECTIONS ARE SECURED AS IT MAKES THE LADDER VERY STABLE (Detail 10).** The exterior ladder section does not require H2 hardware so it can slide and be used to secure the entrance to the pool when not in use
- 10 The basic assembly of the ladder is now complete. Ensure the ladder height is adjusted accordingly on both the inside and exterior of the pool. Make any necessary adjustments to the adjustable base supports on both sides of the ladder. You may want to test the ladder within the pool at the desired location (see Step # 12 below) to be certain of proper height adjustment
- 11 Complete assembly & installation of ANTI-ENTRAPMENT BARRIER (assembly uses 13 - # 8 x 1/2" screws individually packaged with hardware - see accompanying sheet)
- 12 When anti-entrapment barrier installation is complete, the positioning within the pool begins. Before doing so, ensure all hardware is secure & tightened. Choose a low traffic area around your pool. It is recommended to position ladder overtop a support post of pool (see Detail 11). You may need to remove pool top rail cap so ladder sits just above top rail of pool
- 13 Once the ladder is positioned over the pool wall at the desired location, **YOU MUST SECURE THE LADDER TO THE POOL STRUCTURE FOR PROPER STABILITY.** We recommend bolting the ladder directly to the top rail of the pool. Ensure there is sufficient space between the in-pool barrier and the wall of the pool so the barrier does not damage the pool liner (6" max.). The top platform of the ladder has 4 possible bolt locations per side (see Detail 11-2). Choose two that best suit your pool top rail & remember to leave space between the in-pool barrier & the wall of the pool to prevent liner damage (IMPORTANT). Position ladders and mark bolt locations on the top rail. Drill a 5/16" hole through the top rail and secure ladder in place using 2 - H3 bolts, washers and nuts. **REMEMBER, use extreme caution when using power tools around water and make certain debris from drilling holes does not fall into the pool and damage liner.** Tighten hardware. As an alternative, only when bolting directly to the top rail does not suit your pool, we include 2 "J" hook brackets to secure the ladder in place (see Detail 12). The hooks are reversible pending the size and shape of your pool top rail. Select the end that best fits under the lip of your top rail. Using the bolt location described above, fit the end of the hooks under the lip of the top rail and hold in position. Through the ladder platform, pass the H3 bolt downward, through the hook and secure using a washer & nut. Tighten the nut so the hook clamps firmly in place under the lip of the top rail and until the ladder is snug to the top rail. **IT IS EXTREMELY IMPORTANT TO SECURE THE LADDER TO THE POOL STRUCTURE FOR GREATER STABILITY BEFORE USE. IF DESIRED, WE OFFER AN ADDITIONAL A-FRAME STABILIZER PACKAGE (sold separately). CHECK WITH YOUR LOCAL RETAILER OR VISIT OUR WEBSITE FOR FURTHER DETAILS (www.vinylworkscanada.com)**
- 14 Once in place and secure, ensure ladder is stable and on a solid base both inside and outside the pool. **READ OVER AND FAMILIARIZE YOURSELF AND YOUR FAMILY WITH THE SAFETY INSTRUCTIONS AND PROPER USE OF THIS LADDER. WHEN POOL IS NOT IN USE MAKE CERTAIN TO SLIDE EXTERIOR LADDER SECTION UPWARD, PAST LOCKING MECHANISM, AND SECURE WITH A LOCK (not included) TO PREVENT ENTRY TO THE POOL (see Detail 13)**

QUESTIONS ? - COMMENTS ? - CONCERNS ?

Please contact our customer service department if you have any questions (1-877-VINYL WK or 905-834-5666)

Email: office@vinylworkscanada.com / Website: www.vinylworkscanada.com



**MODEL SLA001-2
A-FRAME LADDER
PARTS ASSEMBLY**