

Doheny's[®]

Pool Supplies FAST!

Economical Cleaners

Item # 7824 & 7825

Inground # 7824



Above Ground # 7825



FAST START-UP, SAFELY OPERATE AND EFFICIENTLY CLEAN!

To prevent potential injury and to avoid unnecessary service calls, read this manual carefully and completely.

SAVE THIS INSTRUCTION MANUAL Use of unauthorized replacement parts voids warranty.

ATTENTION INSTALLER – THIS MANUAL CONTAINS IMPORTANT INFORMATION ABOUT THE INSTALLATION, OPERATION, AND SAFE USE OF THESE CLEANERS THAT MUST BE PROVIDED TO THE END USER OF THIS PRODUCT. FAILURE TO READ AND FOLLOW ALL INSTRUCTIONS COULD RESULT IN SERIOUS INJURY.

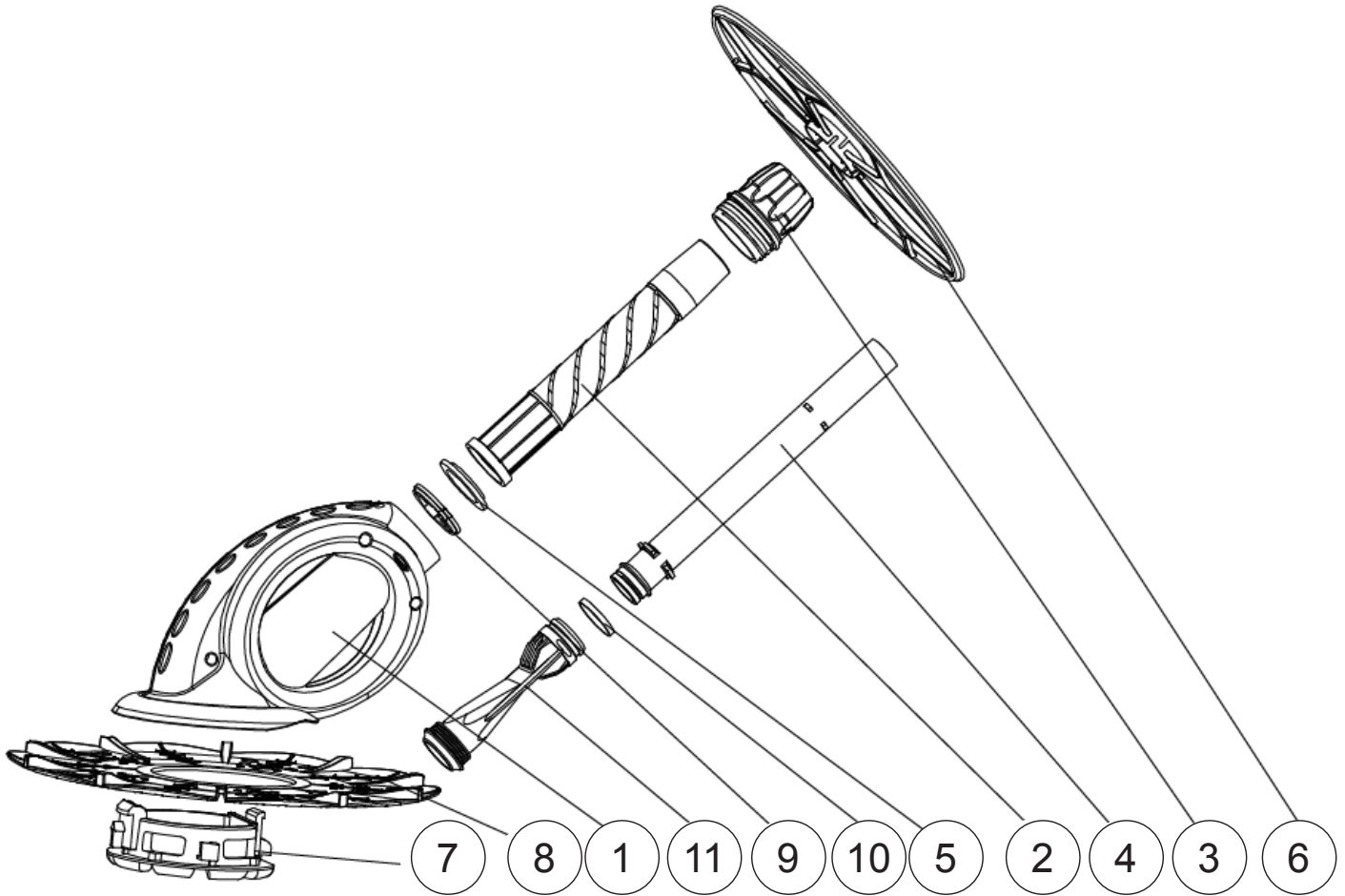
⚠️WARNING

SAFETY INSTRUCTIONS - READ PRIOR TO USE.

SUCTION HAZARD - When using the pool cleaner, keep it away from body parts when the cleaner is connected to suction.

CHILD DROWNING RISK - Adult use only. Never allow children to use the pool cleaner. Do not allow swimmers in the pool during cleaner operation. Store out of reach of children.

Above Ground and Inground Economical Pool Cleaners Item #'s 7824 & 7825



REF	DESCRIPTION
1	Main Body
2	Outer Extension Pipe
3	Handnut
4	Inner Extension Pipe
5	Thrust Washer
6	Deflector Wheel
7	Footpad
8	Disc
9	IEP Locator
10	Retaining Ring
11	Diaphragm

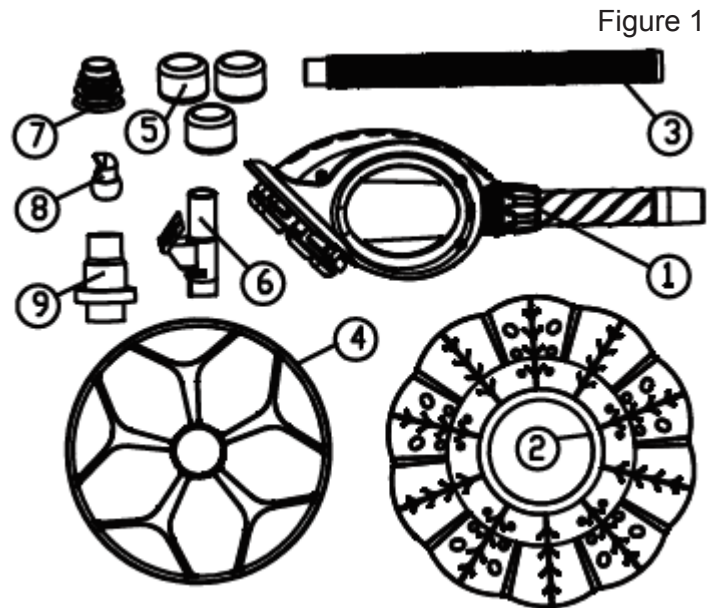
Preparing your pool:

Before you assemble and install your pool cleaner, we strongly recommend you carry out the following steps to ensure your pool is ready for your cleaner to operate.

1. Make sure the chemical balance of your pool water is correct.
2. Brush your pool and let any debris settle.
3. Vacuum your pool, using a manual vacuum cleaner.
4. Clean your pool filter, skimmer basket and pump strainer basket.
5. Close the pool main drain (if your pool has one).
6. Adjust the pool return lines so the water flow is directed downward to ensure complete cleaning of your pool. The flow of water from the return line(s) can affect the performance of the pool cleaner, as it can push the cleaner away from certain areas, or cause it to stay in one section of the pool. To turn the flow downward simply:
 - Loosen the lock ring.
 - Turn the eyeball, flow directed downward.
 - Tighten the lock ring.
7. If necessary, replace the eyeball fitting with the Return Line Diverter supplied with your pool cleaner. To do so, simply:
 - Make sure the pool pump is switched off.
 - Unscrew the lock ring.
 - Replace the original eyeball with the Return Line Diverter.
 - Position the Return Line Diverter so it flow downwards.

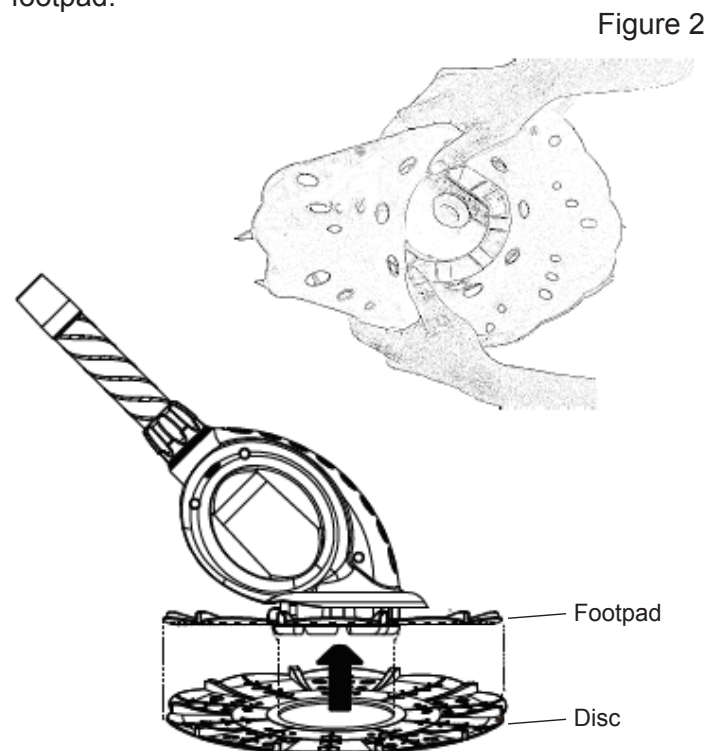
Assembling & Installing Your Pool Cleaner: Step 1: Check Contents

Remove the cleaner body and all the parts from the box and check the following components are included. Refer to Figure 1.



Step 2: Assemble the Pool Cleaner

To assemble simply fit your pool cleaner disc to the body. Simply stretch the disc (with the fins pointing up, towards the cleaner) over the footpad, see Figure 2. Make sure the inside rim of the disc is located in the track that runs around the footpad. When the disc is correctly positioned, it should easily rotate around the footpad.



Step 3: Use of the Deflector Wheel

Use the deflector wheel if your pool has tight corners and/or a ladder. The deflector wheel helps guide your pool cleaner around these obstacles. To fit the deflector wheel, simply push it over the handnut, until it has engaged correctly and rotates freely. See Figure 3.

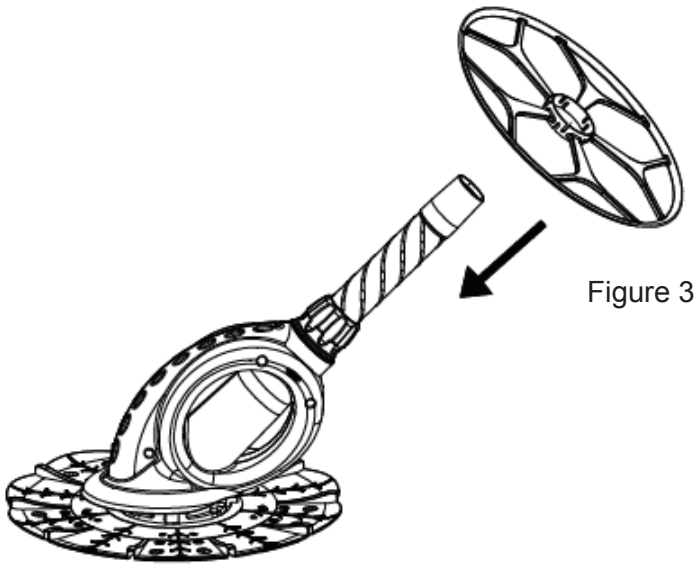


Figure 3

Step 4a: Connect Hose

Connect sufficient lengths of hose to cover the distance from the pool skimmer to the farthest point of your pool, plus one length. See Figure 4. The female (large) hose cuff is fitted to the pool cleaner. The male (small) hose cuff connects to the pool system. See Figure 5.

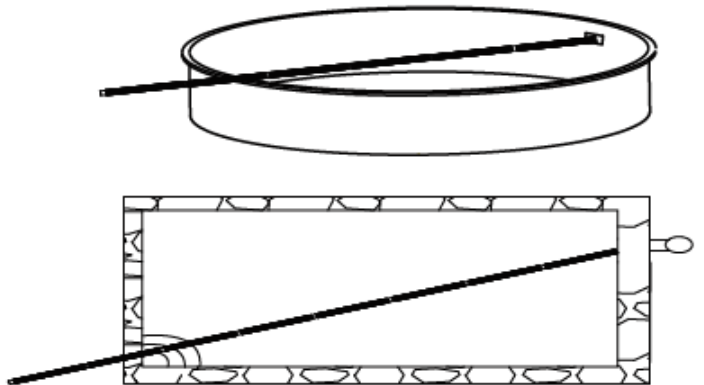


Figure 4

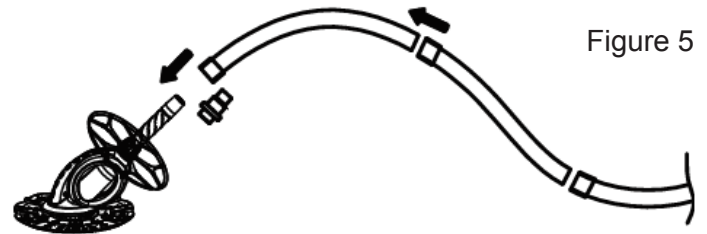


Figure 5

Step 4b: Position Hose Weight

If you have a deep pool, you may need to fit the hose weight. This is to counteract excessive buoyancy created by the hose. The hose weight simply slides over the male hose cuff and can then be positioned wherever required on the hose. Adjusting the position of the hose weight could provide better performance. See Figure 6.

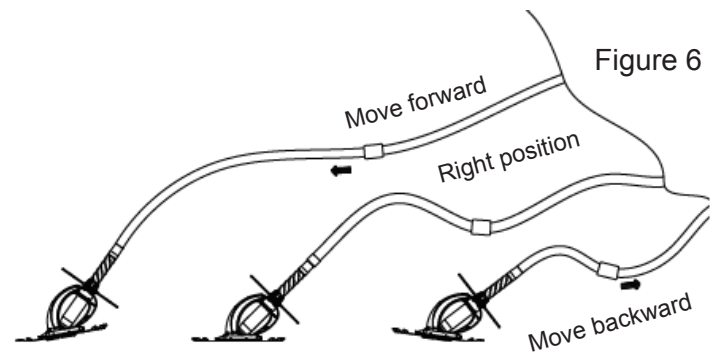


Figure 6

Step 5: Flow Control Valve

The flow control valve ensures your pool cleaner receives the flow required to ensure optimum performance.

- Make sure the pool pump is turned OFF.
- Expel all the air from the hose.
- Attach flow control valve to the male hose (smaller end). See Figure 7.
- Insert the flow control valve into the weir/skimmer. If necessary, use the control valve adaptor to ensure a good connection. See Figure 8.
- Turn the pool pump ON.
- Your pool cleaner will now begin automatically vacuuming your pool.

The flow control valve is preset between position 3-4. This provides the ideal operating flow in most pools. But if necessary, the flow can be adjusted by using any setting from position 1 through 6 (1=minimum flow, to slow your cleaner down; 6=maximum flow, your cleaner will run faster). See Figure 9.

Figure 9

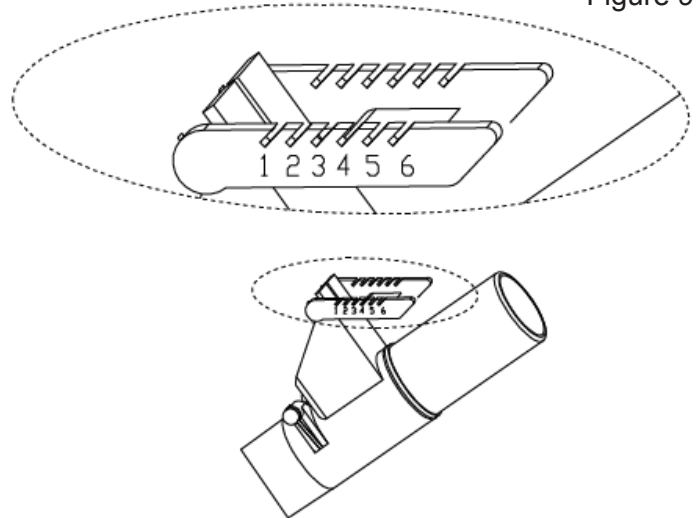


Figure 7

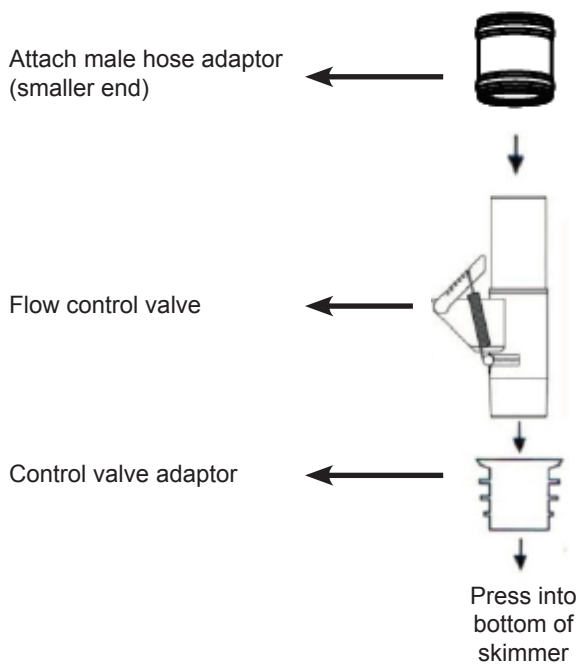
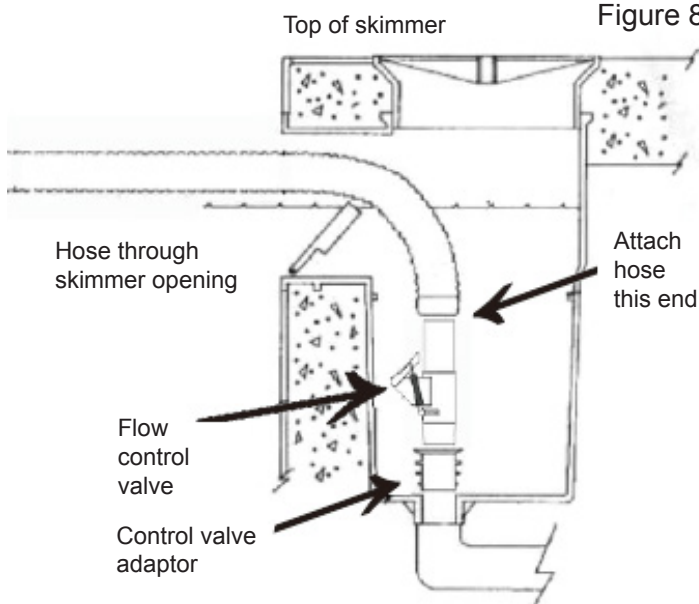


Figure 8



TROUBLESHOOTING

Due to the individual characteristics of your pool, some adjustment may be required to get the best possible performance from your pool cleaner. The following tips will help you to optimize the performance from your pool cleaner. The following tips will help you to optimize the performance of your cleaner.

Problem	Solution
Pool cleaner does not move or moves slowly	<ul style="list-style-type: none">• Make sure the main drain is closed• Check the flow control valve and make sure the flow to pool cleaner is sufficient• Check diaphragm for wear or damage• Backwash filter and empty pump strainer basket
Pool cleaner gets stuck at steps or in a corner	<ul style="list-style-type: none">• Fit deflector wheel• Make sure total hose length is correct• Adjust return line eyeball fittings to use the water flow to help guide away from the steps or corner
Pool Cleaner moves in a repetitive, non-random pattern	<ul style="list-style-type: none">• Make sure return line fittings are directed downwards• Check that the hose weight position is correct• Make sure total hose length is correct
Pool cleaner stays in only one end of the pool	<ul style="list-style-type: none">• Check the return line flow and redirect if necessary• Check the total hose length and add more hose if necessary• Check that hose weight position is correct
Air bubbles can be seen in the flow from the return line	<ul style="list-style-type: none">• Check the hose to ensure there are no leaks• Check the connection of the flow control valve, to make sure it is under water at all times• Check the pump basket lid is fitted correctly, is not loose or cracked and that no o-rings are worn or missing. If necessary, contact your pool professional for assistance.
Pool cleaner falls on its side	<ul style="list-style-type: none">• Make sure the outer extension pipe swivels freely
Hose won't fit flow control valve	<ul style="list-style-type: none">• Fit hose adaptor to flow control valve¹

ROUTINE MAINTENANCE

To maintain the performance of your pool cleaner:

- When removed from the pool, make sure the hose is straight. **Never coil the hose** as this may cause distortion which may adversely effect the pool cleaner.
- Remove the pool cleaner (including hose) before chemical treatment. Wait a minimum of 4 hours after super chlorination (shock treatment) of your pool before re-installing the pool cleaner.
- Clean the filter skimmer basket and pump basket regularly.
- When not in use, keep the cleaner disc flat to avoid risk of warping.
- Periodically inspect your pool cleaner for signs of wear. If necessary, replace any worn parts.
- **NOTE:** Due to harsh conditions in which your cleaner operates, it's colors may fade and discolor over time.

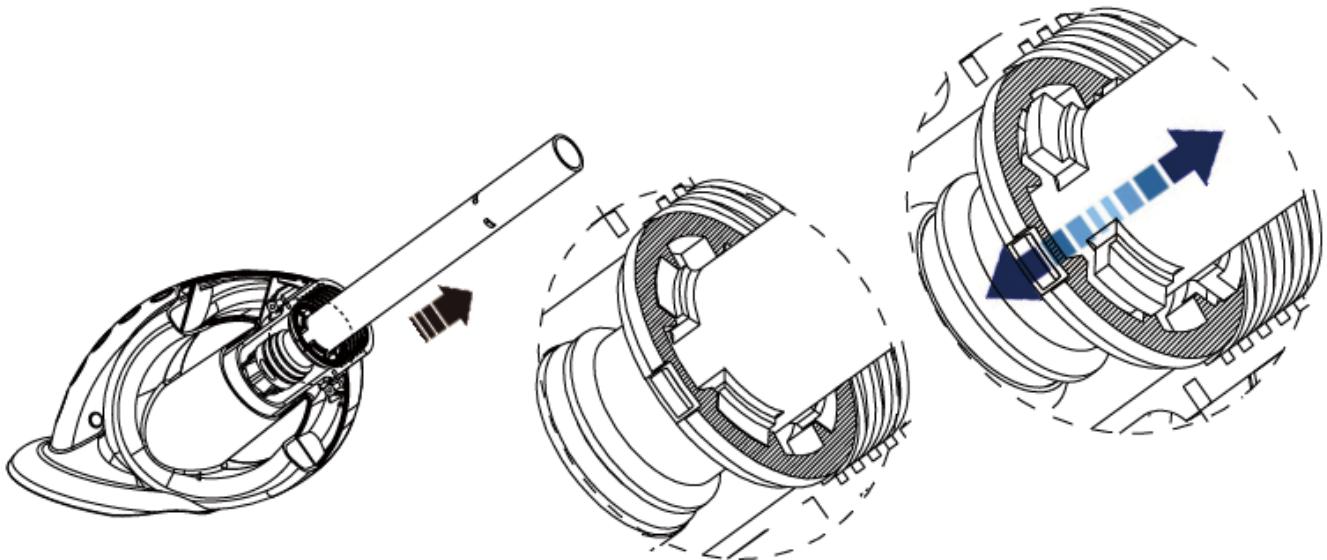
REPLACING THE DIAPHRAGM

The diaphragm of your pool cleaner operates at the rate of approximately 360 beats per minute. In the event that it does become worn or damaged and needs to be replaced, simply follow these easy steps:

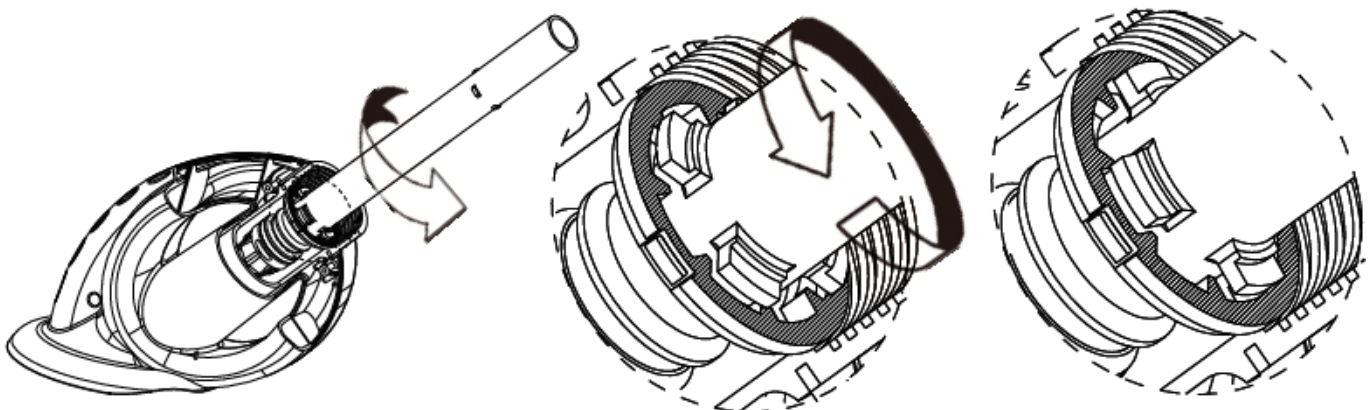
1. Unscrew the handnut and remove it. Place the extension pipe and the thrust washer off to the side.



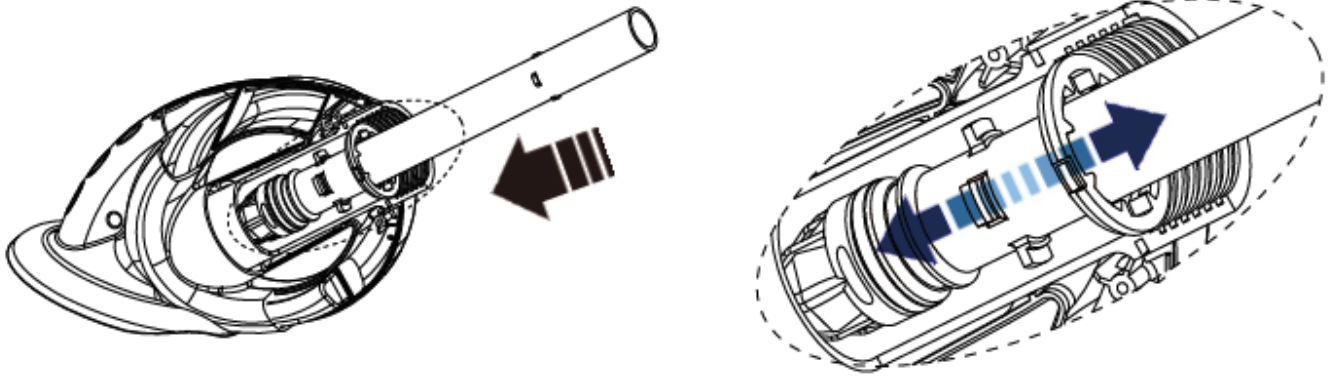
2. Hold the inner extension pipe (IEP) and gently pull it towards you. This pulls the tabs out of their recess.



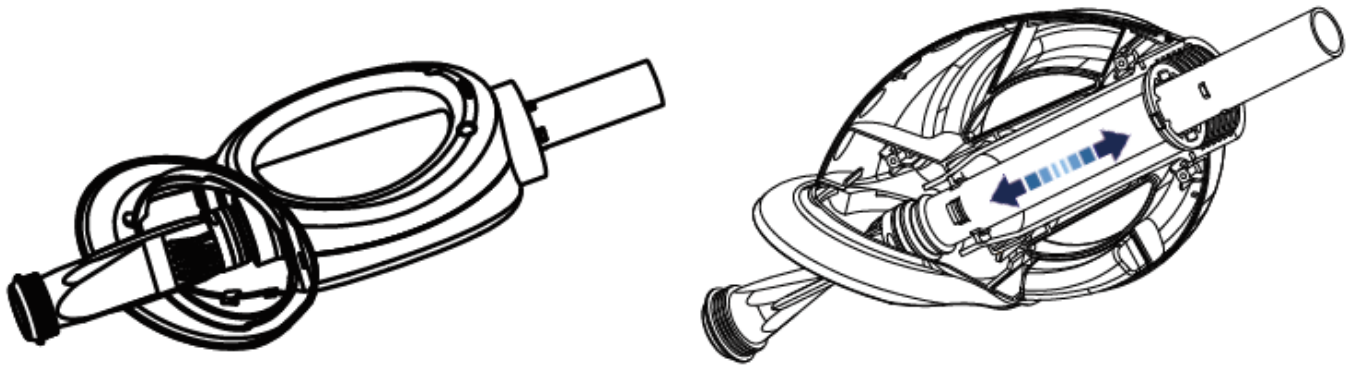
3. Turn the inner extension pipe so the tabs line up with the holes in the IEP locator. **Do not remove the inner extension pipe from the body.**



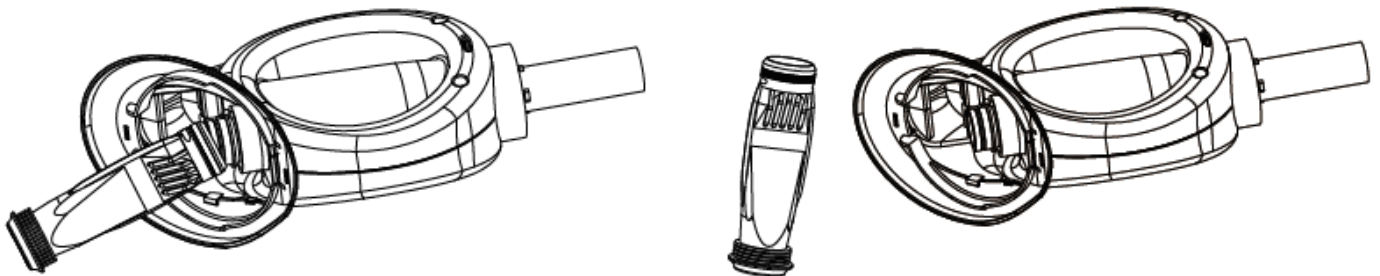
4. Push the inner extension pipe away from you so the tabs go through the holes in the IEP locator.



5. Grasp the other end of the diaphragm (the end furthest away from the inner extension pipe) and pull it away from the pool cleaner body. The diaphragm will fall clear of the body.



6. Twist the diaphragm, removing it from the inner extension pipe.

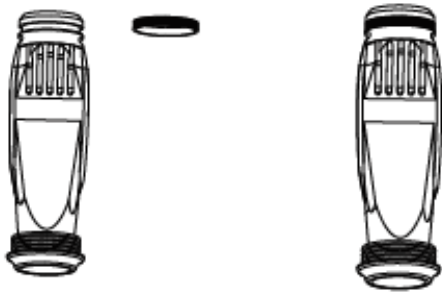


7. Remove the retaining ring from the diaphragm. Discard the used diaphragm.

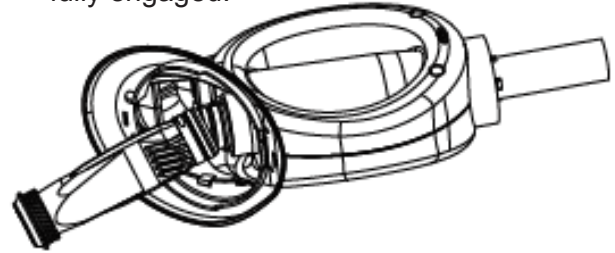


To Install a new diaphragm, simply reverse the process:

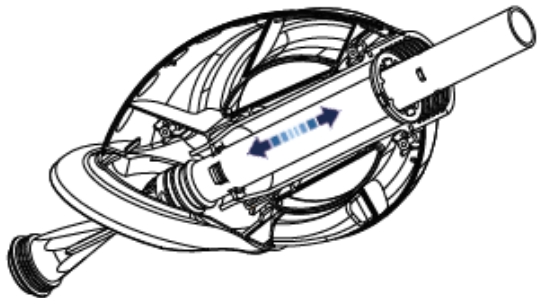
a. Fit the retaining ring onto the new diaphragm.



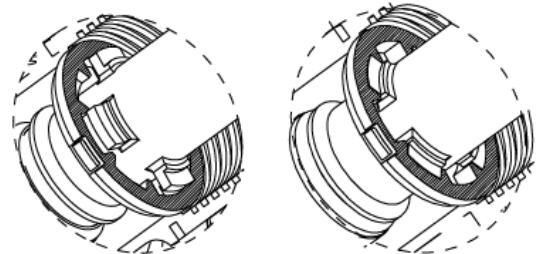
b. Push the diaphragm onto the inner extension pipe. Make sure it is correctly located and fully engaged.



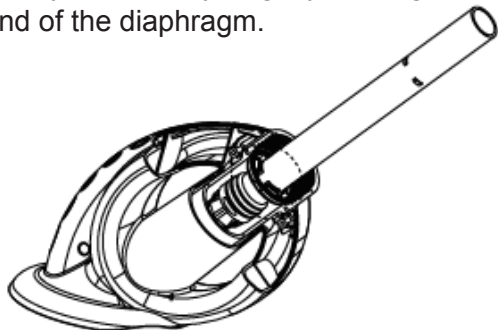
c. Pull the inner extension pipe up through the body, positioning the tabs so they can be pulled through the holes in the IEP locator.



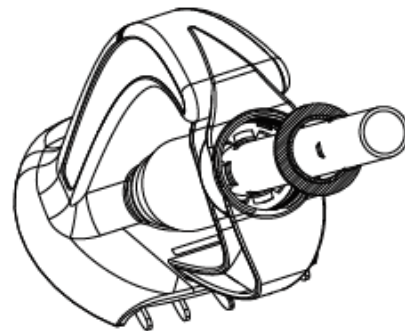
d. Gently turn the inner extension pipe so the tabs are aligned with the recesses in the IEP locator. Release the inner extension pipe.



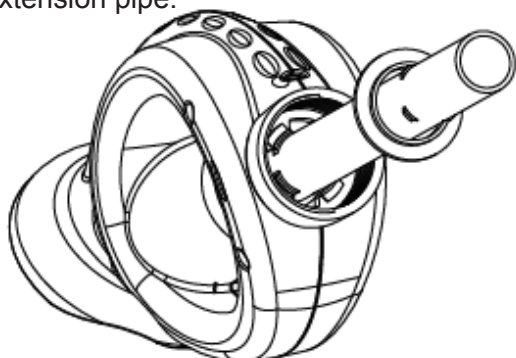
e. Check that the diaphragm is correctly located. If it has become twisted during installation, simply untwist by slightly turning the open end of the diaphragm.



f. Slide the thrust washer over the inner extension pipe. The flat side (widest diameter) of the thrust washer should face down.



g. Place the outer extension pipe over the inner extension pipe.



h. Screw the handnut into place to lock the assembly. Be careful not to over-tighten the handnut. Check that the outer extension pipe swivels freely.

