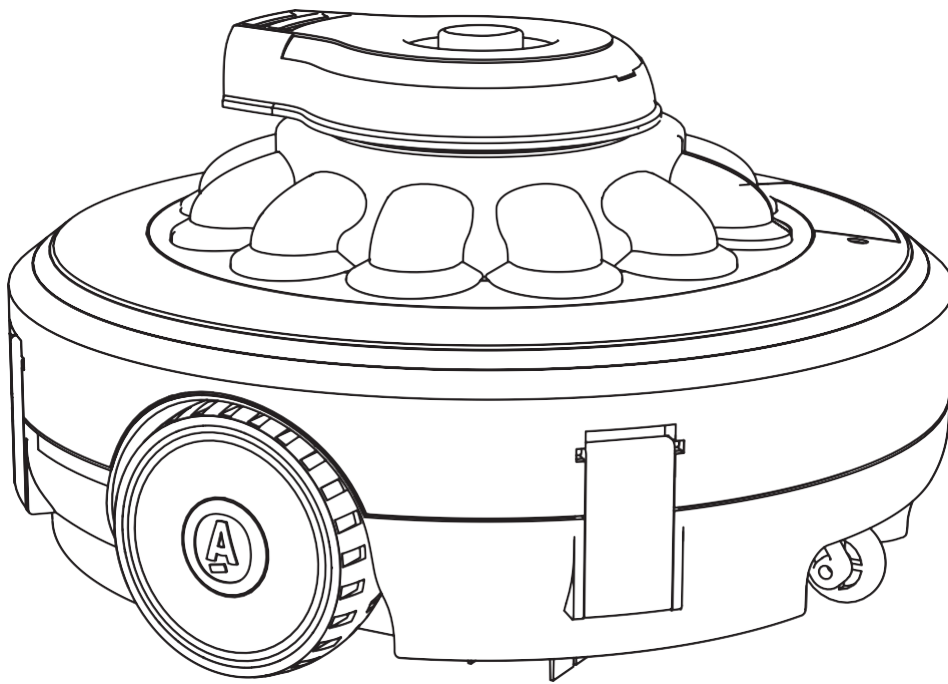


Doheny's[®]

PROJET Free 600

**Battery- Operated Robotic Pool
Cleaner for Aboveground Pools
INSTRUCTION MANUAL**



Battery: 7.4V /4,000mAh
Charging power: 8.4V DC, 1.5A

Motor voltage: 7.4V DC
Waterproof grade: IPX8

SAFETY WARNING

When installing and using this electrical equipment, you should always follow the basic safety precautions. Please read the following carefully

Warning!

This cleaner is not a toy and should be operated by people older than 8 years of age. Anyone who operates this cleaner, has to read the manual carefully before using it.

- (1) This cleaner is designed to clean a swimming pool or a swim spa.
- (2) Only use the original battery and charger provided.
- (3) Only charge the cleaner when the power is OFF.
- (4) Store the cleaner in a clean, dry location. Do not expose the cleaner to direct sunlight, or close to explosives.
- (5) Please make sure there are no sharp objects in the pool to avoid damage to the cleaner.
- (6) The cleaner automatically shuts off when it is out of water.
- (7) Avoid blocking or impeding the flow of the cleaner's suction port while operating.
- (8) Do not disassemble the cleaner without professional guidance from an authorized repair center.
- (9) Should an oil leak occur, remove the cleaner from the water and place it in a plastic bag.
- (10) Please contact the company where the cleaner was purchased should the cleaner stop working. Only original parts may be used for repairs.
- (11) Maximum water depth: 1.5 m (5 ft)
- (12) Water temperature operating range: 4°C(39.2°F)-35°C(95°F)

1. Charger:

- (1) Only use the original charger provided.
- (2) For indoor use only. The charger should not be used outdoors and must not be exposed to rain, humidity, liquids, sunlight, or heat.
- (3) Keep the charger out of the reach of children.
- (4) Never use the charger if it is damaged.

- (5) Do not handle the cleaner or charger with wet hands and or bare feet while charging the cleaner.
- (6) Disconnect the charger from its power source when not in use.
- (7) If the wire is damaged, replace the entire charger to avoid danger.
- (8) Make sure the cleaner and charger are totally dry before charging.
- (9) Charge the cleaner 4-5 hours prior to the first use. Normally the cleaner will operate for approximately 60 minutes when fully charged.

2. Battery disposal:

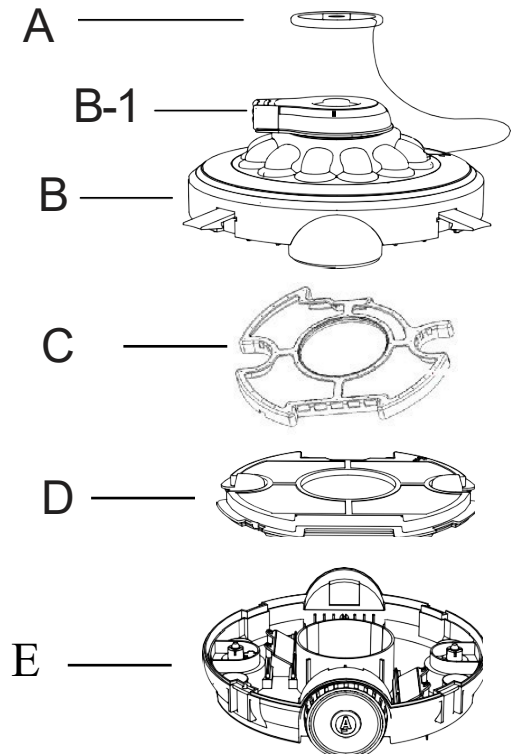
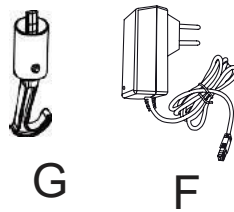
- (1) The battery is a lithium battery and must be disposed of properly. Contact your local authority for more information.
- (2) Never attempt to disassemble the lithium battery.
- (3) Remove all personal items that are metal should a lithium battery need to be removed from the cleaner by authorized personnel only.
- (4) In rare situations, the battery may overheat and cause severe burning when high current occurs because of a short circuit.
- (5) Wear complete eye protection, gloves and protective clothing when authorized personnel only needs to remove the battery pack.
- (6) Avoid smoking near or exposing the cleaner to flames to avoid exposure to unhealthy gases.
- (7) If acid comes in contact with skin and clothing, wash immediately with plenty of soap and water.
- (8) If acid comes in contact with eyes, immediately flood eye with running cool water for at least 15 minutes. Seek medical attention immediately.

The above warnings and cautions are not intended to incorporate all possible instances for risks and/or severe injury. Pool/spa owners should always exercise caution and common sense when operating the cleaner.



Assembly

- A: Floater
- B: Upper cover
- B-1: Jet head
- C: Fine Filter
- D: Filter
- E: Bottom base
- F: Charger
- G: Hook



The jet head (B1) rotates 180 degrees as the water flows through the bottom base (E), the filters (C & D) and the upper cover (B). The water flow passing through the jet head propels the robot across the pool floor. Should an obstacle prevent the robot from moving forward, the jet head turns 180 degrees and sends the robot in the opposite direction. The debris is collected and stored in the bottom base (E) of the cleaner as clean water passes through the filter (C)

Assembly and Operation

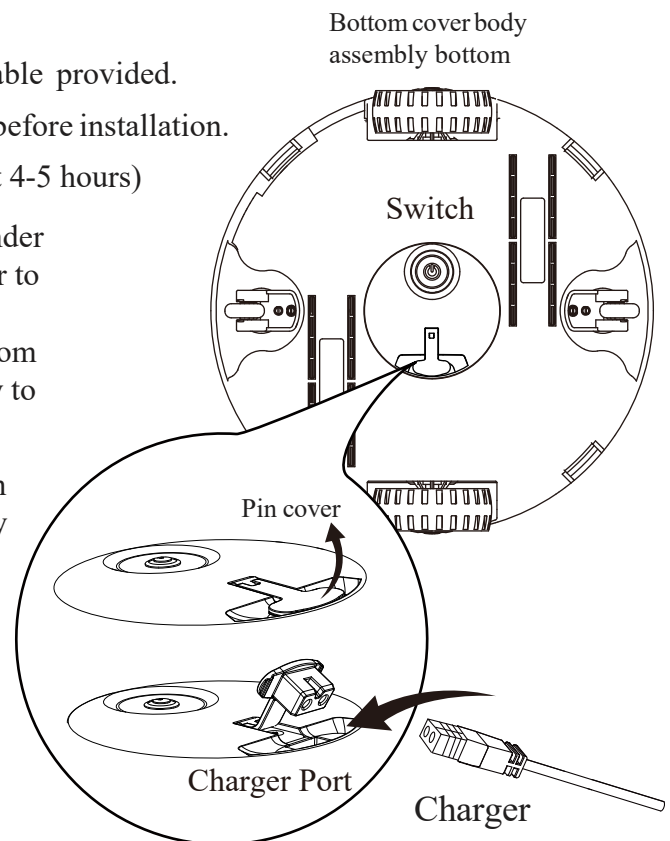
Charging the cleaner

- Use only the original external adapter and charging cable provided.
- Make sure the robot and charger ports are clean and dry before installation.
- Charge the robot before using it for the first time (about 4-5 hours)

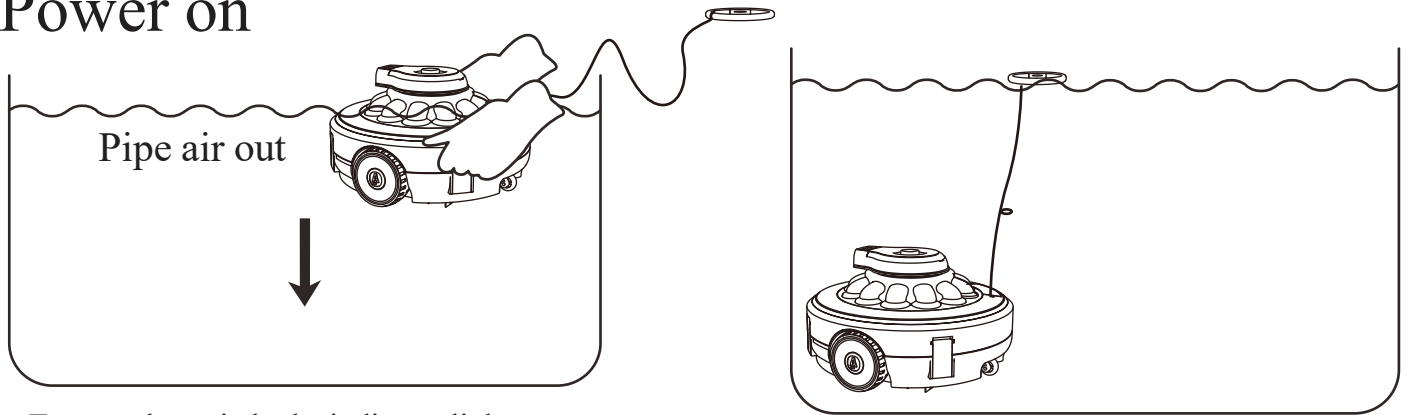
1. Remove the pin cover from the charging port located under the cleaner. To avoid losing the cover, attach the pin cover to the charging cable.
2. Place the charger plug into the charging port at the bottom of the cleaner, then plug the charger into the power supply to begin charging the cleaner.

Note: Once the robot starts charging, the indicator light on the external adapter will turn red. When the robot is fully charged, the indicator light will turn green.

3. When fully charged, pull the charger plug out of the charging port at the bottom of the cleaner. Securely place the pin cover over the charging port making sure the port is sealed before placing the cleaner in the water.

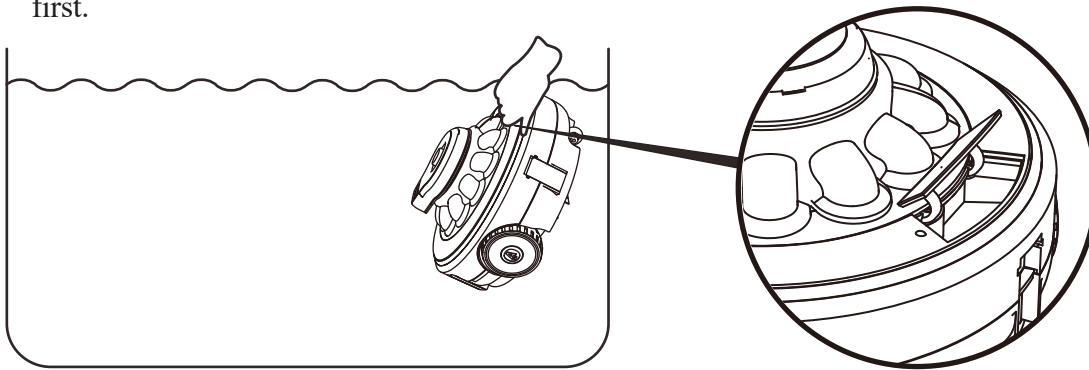


Power on



1. Turn on the switch, the indicator lights up , loosen the rope on the float, put the robot horizontally into the pool, and wait for the robot to sink freely down to the pool bottom, it takes around 20-30 seconds to pipe air out first.

2. Adjust the length of the rope to ensure that the length of the rope is at the same height as the water level. Cut or tie the excess rope.



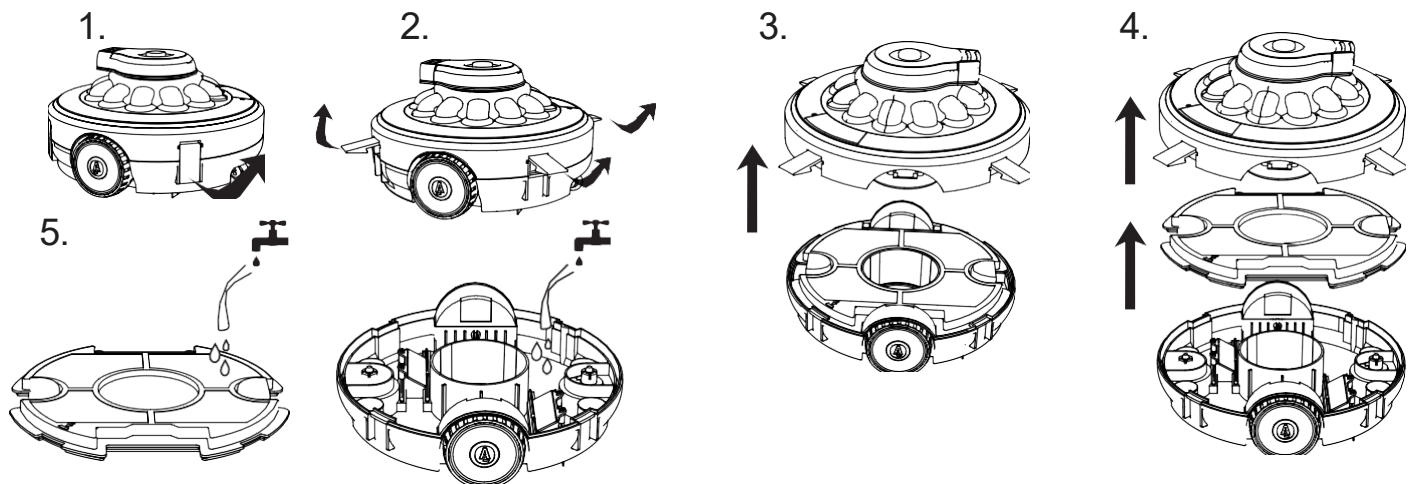
Open the latch on the top of the cleaner to easily carry it by hand or remove it from the pool.

3. When the robot runs out of battery, it will automatically stop at the edge of the pool unless unforeseen obstacles prevent the robot from moving to the pool's edge.

Note:

1. It is recommended to turn off the filtration system as the water circulation in the pool may affect the robot's movement. .
2. Any obstacle in the swimming pool will affect the robot's crawling and cleaning track, such as ladder.
3. If you are using salt to sanitize you water, make sure it is dissolved before putting the robot into the water.

Debris Access & Disposal



Maintenance and storage

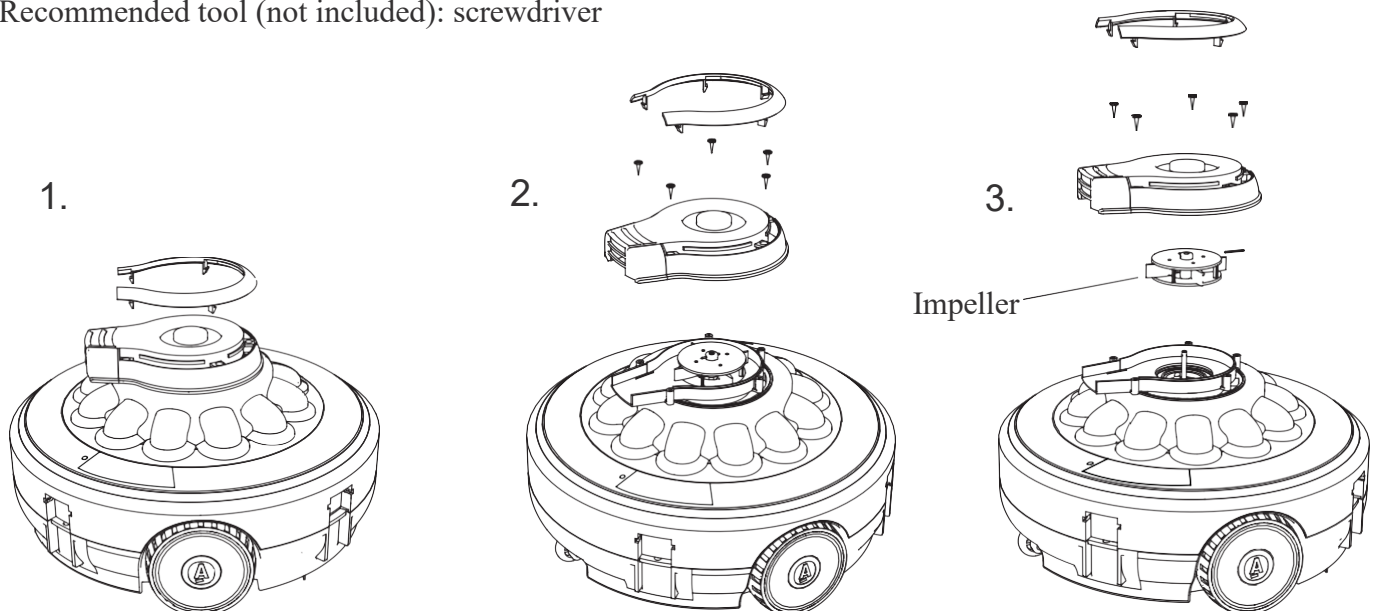
1. The battery continues to discharge during storage. Make sure the robot is fully charged before storing it.
2. When not in use, you must recharge the battery at least once every three months.
3. Keep the charging adapter and cable separate from the robot while storing.
4. Clean the robot and filters with clean water prior to string it. Do not use detergent.
5. Remove all water from the robot before storing it, making sure the robot is completely dry.
6. Use a wet cloth to clean and dry the robot and its accessories.
7. Store in a well-ventilated place away from sunlight, heat, fire sources, pool chemicals and children

The storage temperature should be 10 °C – 25 °C or (50 °F – 77 °F).

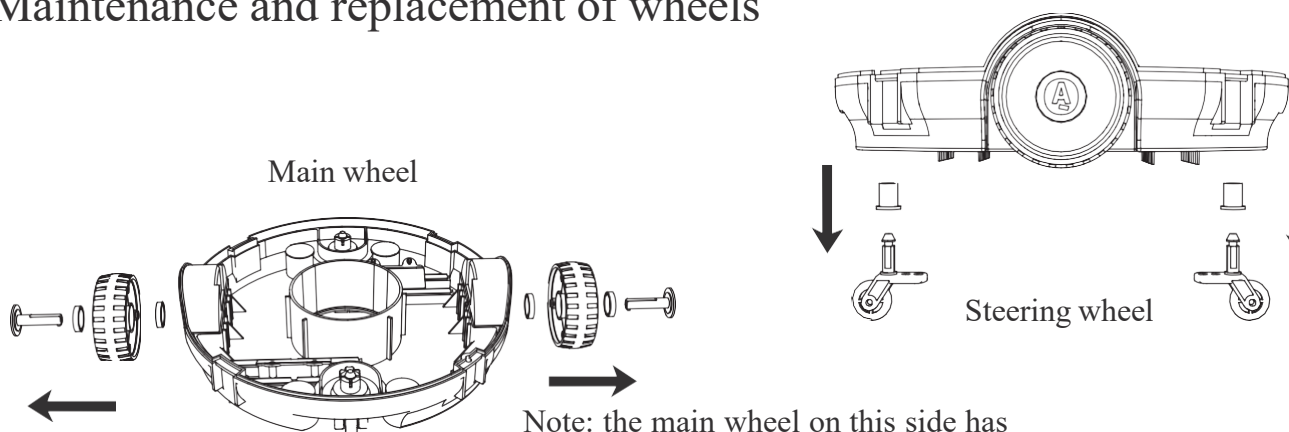
Note: higher storage temperatures may shorten battery life.

Maintenance and replacement of impeller

Recommended tool (not included): screwdriver



Maintenance and replacement of wheels



Note: the main wheel on this side has magnets. Please contact the dealer for replacement or maintenance.

Battery assembly and replacement

Warning!

Do not treat electrical appliances as unclassified municipal waste, use separate collection facilities. For information on available collection systems, contact your local government.

- Do not remove the lithium battery without authorization.
- When removing the lithium battery from the vacuum device, please remove all metals such as rings, bracelets, necklaces, and watches.
- The short-circuit current generated by a battery is enough to adsorb the ring (or similar items), causing severe burns.
- Before removing the battery pack, please wear eye protection, gloves, and protective clothing.
- Be careful not to touch the wire or any metal parts, or it will cause spark or short circuit.
- Do not smoke, spark, or flame near the cleaner, or it will ignite the battery and produce gas.
- Avoid exposing the battery to fire or high temperature, otherwise it may cause explosion.

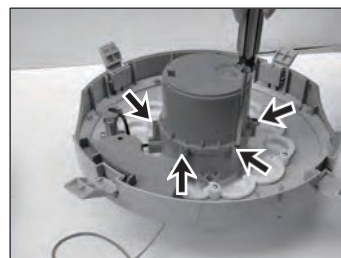
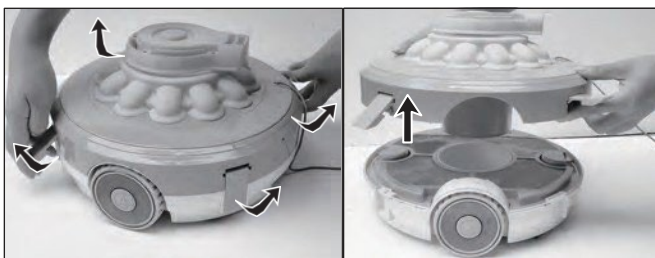
Note

In case of battery leakage, avoid contact with the damaged battery and put it in a plastic bag. If skin or clothing is in contact with acid, wash immediately with plenty of soap and water. If the eyes are in contact with acid, rinse the eyes with water for at least 15 minutes and send them to a doctor for treatment.

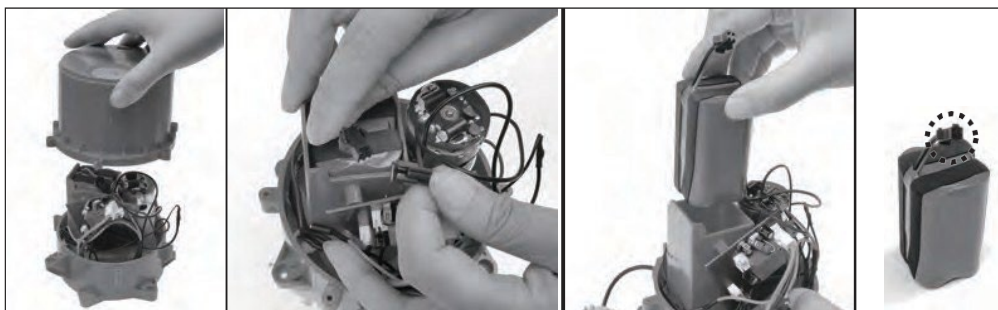
Battery replacement (authorized repair centers only):

NOTE: User must consult dealer before any battery replacement.

1. Pull out the four clips of the core part of the upper cover outward and separate it from the body assembly of the bottom cover.



2. Use a screwdriver to remove all screws on the power cover of the bottom cover.



3. Open the battery cover, find the battery connection line, press the clip on the connector, pull it out, and take out the battery.

Note: wrap the connector with insulating tape immediately to avoid short circuit caused by contact between two wire terminals.

4. According to the disassembly steps, re install the battery and assemble the charging parts.

Note: (1) if there are impurities in the seal ring, clean it and install it back into the seal ring groove.

(2) Pay attention to the assembly direction. The six screw holes must be aligned to lock the screws.

Trouble shooting

If you have problems with your cleaner, follow the troubleshooting steps below to restore performance.

Note: turn off the power before making any repairs.

Problem	Possible causes	Solution
Robot not capturing debris.	The battery is low.	Charge the robot.
	Impeller is stuck.	Turn off the power supply of the robot and visually check whether the impeller rotates. If necessary, contact your dealer for further instructions. Warning! Before servicing the equipment, make sure that the robot is turned off.
	Impeller damaged.	Please contact your dealer for replacement.
	The storage area is full.	Clean the storage area and filter screen.
The robot stops moving in the middle of the pool (the rotating head is still turning).	The robot was stopped by an obstacle.	Check the cleaner for obstructions. Remove obstacles.
	The robot is stuck on the main pool floor drain.	Turn off the filtration system (see instructions in the manual).
	The liner has excessive wrinkles or divots.	The robot will try to maneuver around or over the wrinkles or divots. This may cause the robot to take additional time. Contact your dealer for help.
The robot cannot cover the entire pool / move along the wall of the pool.	The storage area is full.	Clean the storage area and filter screen.
	The operation time was shorter than expected.	Clean the filter chamber and recharge the robot for 4-5 hours
	The water circulation generated by the filtration system interrupts the direction of movement.	Turn off the filtration system (see instructions in the manual).
	The wheel is stuck.	Check and remove debris from the wheels.
The robot moves slowly.	The storage area is full.	Clean the storage area and filter screen.
The turning head does not rotate or rotates too slowly.	The bottom of the swivel is stuck.	The storage area is full, check and remove any debris that may be stuck under the rotating head. It can be rotated by hand and rinsed with water until smooth.
	The storage area is full.	Clean the storage area and filter screen.

The debris escaped from the robot.	The valve of the suction nozzle (bottom of the cleaner) is broken.	The baffle at the suction cup is like a door to prevent debris from escaping from the debris chamber. Contact your dealer for further instructions.
Debris enters the outside of the filter cover.	The filter cover is damaged.	Replace the filter cover with a new one. Please contact your dealer for replacement parts.
The robot can still work without water.	The water of the robot is not dry, and the contact is short circuited, so the robot can still work without water.	Leave it outside the water for a few seconds and wait for the water to dry
	There is garbage at the contact point, such as wet hair, which causes short circuit of the contact.	Remove hair and other debris with tools
	Circuit board damaged	Please contact the dealer for replacement.
If the charger shows red light all the time, it does not change to a green light after 8 hours of charging.	Battery damage.	Please contact the dealer to replace the battery. Warning! Don't turn on the robot and replace the battery yourself. This can cause serious or fatal injury, so the warranty will not be valid.
If the charger changes to a green light in a very short time, and the device also only works for a short time (within half an hour).		
<ol style="list-style-type: none"> 1. When the product starts to charge after the work is over 2. If the charger shows a green light all the time. (Make sure the charger cable is properly and completely connected to the external adapter and the robot.) 	Charger is damaged.	Contact the dealer for replacement. Warning! Using the wrong external adapter will result in damage to the robot / battery and void the warranty.
If the charger light does not light any more.		

ProJet Free 600 PARTS LIST

Reference	INO Item No.	Description
A	300051	Tether Cord Assembly
B	INO 600-2	Rotating Head Cover
C	INO 600-3	Interior Head Assembly
D	INO 600-4	Upper body
E	INO 600-5	Body Clip
F	300056	Standard Filter 150 µm
G	INO 600-8	Impeller
H	INO 600-9	Motor assembly (ON/OFF with LED lighting)
I	INO 600-10	Lower body
J	3000511	Small Guide Wheel
K	3000512	Brush Guides
L	INO 600-13	Large Wheel
M	INO 600-14	Inner Wheel Pin
N	3000515	US Charger
O	3000516	4,000 mAh Lithium Battery
P	300057	Fine Filter 70 µm
Q	3000519	Retrieval Hook
-	INO 600-17	Pin Cover- Charging Port
-	INO 600-18	Rubber Flap (no screws)

