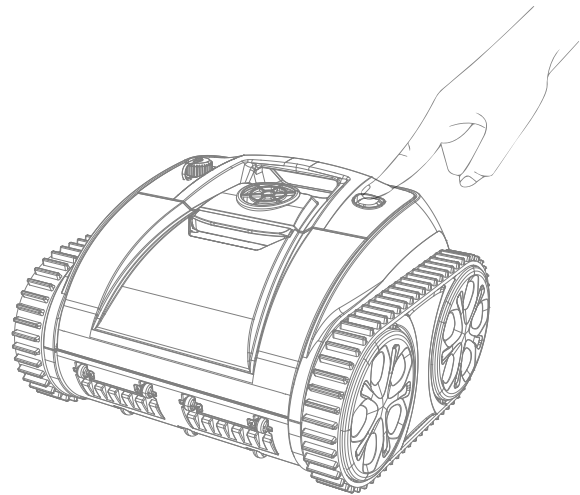


QUICK GUIDE

1. Power on the robot

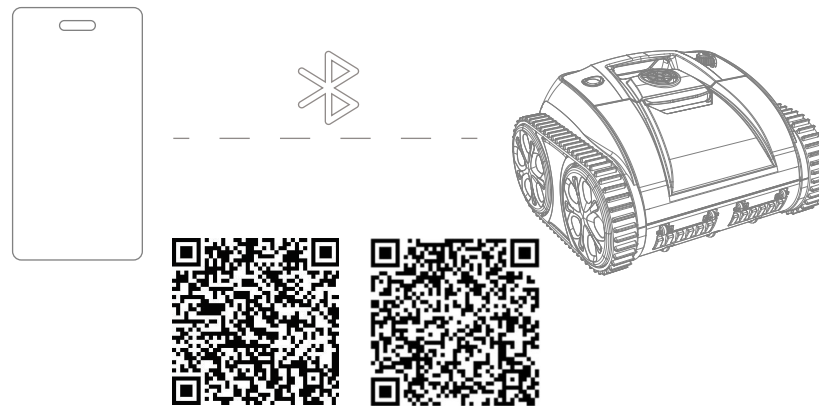


Remove the robot from the box and charge it until a green light appears on the charger.
Press the button: Blue light indicates the robot is powered on.
Press the button again: Red light indicated the robot is powered off.

PRODRIVE PLUS

2. Mobile App connection

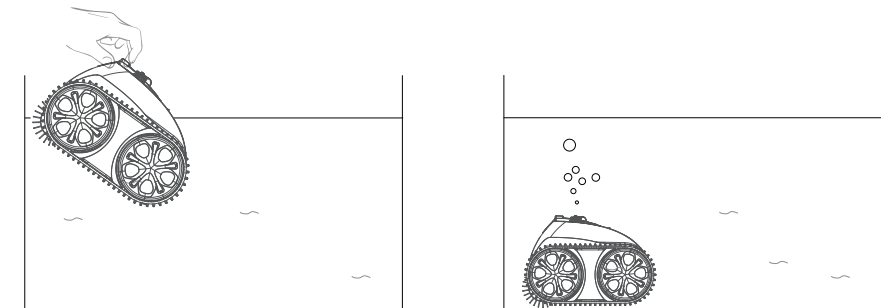
then you can operate the robot on your mobile device.



1. Download DOHENY'S App from Applestore or Google Play.
2. Power on the robot, via Bluetooth® search the device to connect, then you can operate the robot on your mobile device.

Doheny's

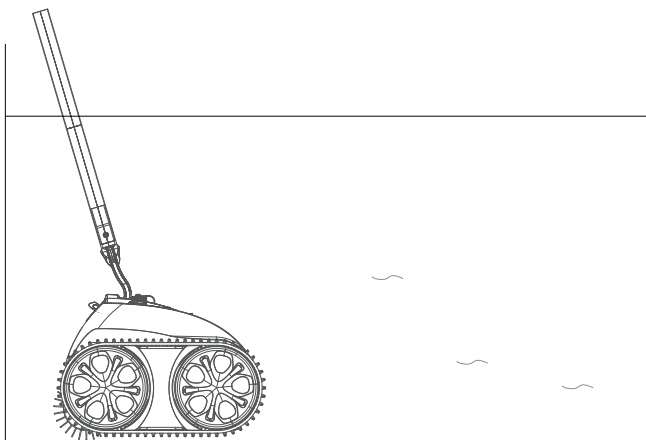
3. Place into the pool



1. Press the button once. A blue light indicates the robot is powered on.
2. Submerge the robot under the water with the bottom facing the wall.
3. Hold for approximately 20 seconds or until the trapped air (tiny bubbles) escape.

QUICK GUIDE

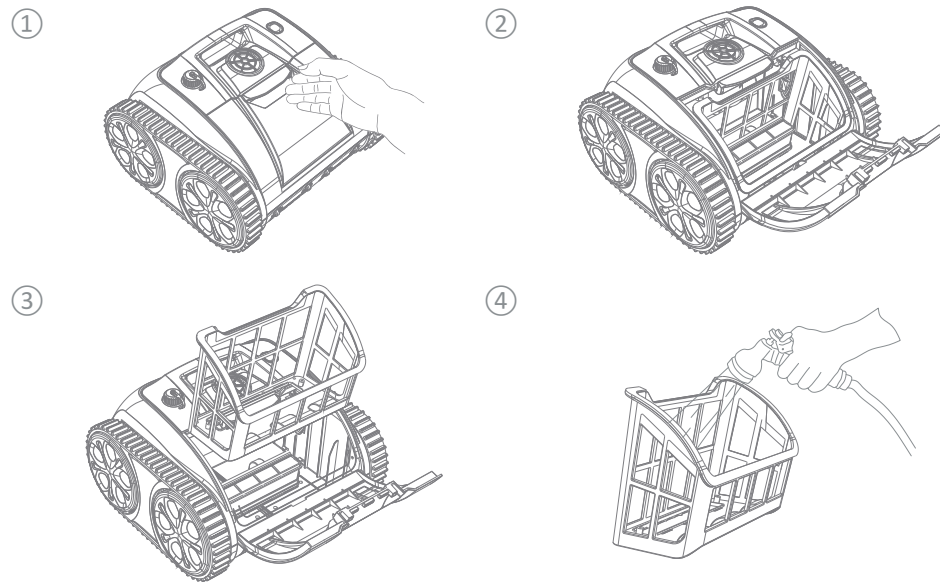
4. Lift out of the pool



The robot will move to the pool's edge when it finishes cleaning. Use the provided hook to lift it out of the pool.

PRODRIVE PLUS

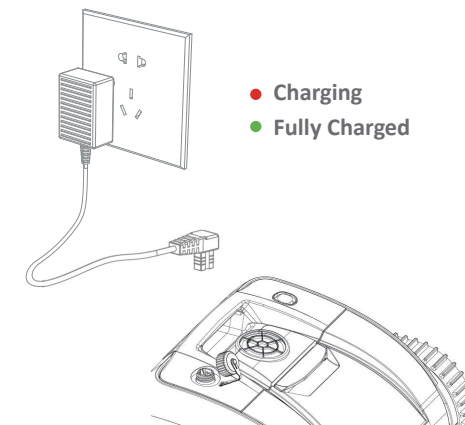
5. Clean after each use



Remove the filter basket located under the top cover. Spray it using your garden hose and a hose end spray nozzle to clean it thoroughly.

Doheny's

6. Charging the robot



Make sure the charger and the charging port are clean and dry. Use only the original charger at all times.