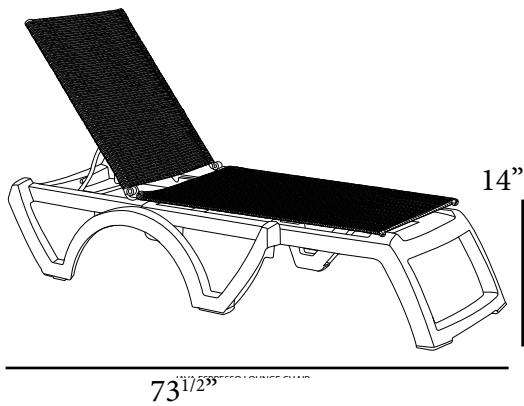


Grosfillex

COMMERCIAL RESIN FURNITURE

Your best value for Food Service & Hospitality!



JAVA All-Weather Wicker Chaise

**Passes ASTM F 1988-99 Class B
performance standard for commercial use**

Features & Benefits

Warranty: 3 Yrs.

- Stylish 4-position adjustable chaise lounge.
- High strength resin wicker frame, specifically woven to perform in commercial outdoor environments.
- Easily replaceable wicker frame.
- VIRO® branded fiber, highly flexible for comfort and resistant to color fading, cracking, peeling & breaking.
- Breathable and power washable as needed.
- Rated to 300 lbs. for structural strength in compliance with ASTM F 1988-99 Class B standard for non-residential use.
- Recessed wheels for easy transportation. Stacks for easy storage.
- Hard wearing footpads for extra wear resistance.
- 100% Recyclable.

Product Specifications

Product Description	Reference Number	Color	UPC Code 014306	Weight Each (lbs.)	Master Pack	Master Pack Volume (cu. ft.)
JAVA All-Weather Wicker Chaise <i>Bronze Mist Frame</i> <i>Teakwood Frame</i>						
	US465237	Espresso Wicker	913551	30.70	12	98.72
	US645237	Espresso Wicker	913551	32.00	2	38.98
	US465208	Honey Wicker	913568	30.70	12	98.72
	US645208	Honey Wicker	913568	32.00	2	38.98