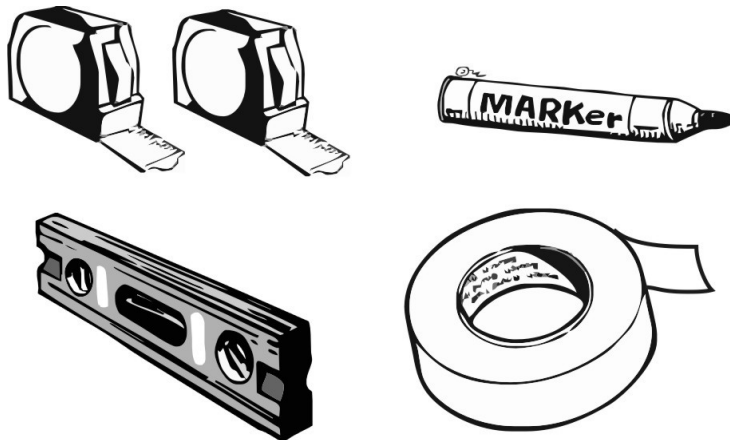


Instructions for measuring your pool for the ADA EASY STAIR**Before your begin****1. You will need the following items:**

- Two measuring tapes
- A marker
- Masking tape
- A level



2. Allow adequate time to perform this task. It should take approximately 15-20 minutes from start to finish. Read the instructions thoroughly before beginning.

3. Get Help! We strongly recommend 2 people for taking the measurements needed- 1 person in the water, and 1 person on the deck recording the measurements.

FAX or EMAIL your completed measurements
to: **315-422-7629** or **LDaly@triadtec.com**

Don't forget to include any additional drawings or sketches you wish to attach.

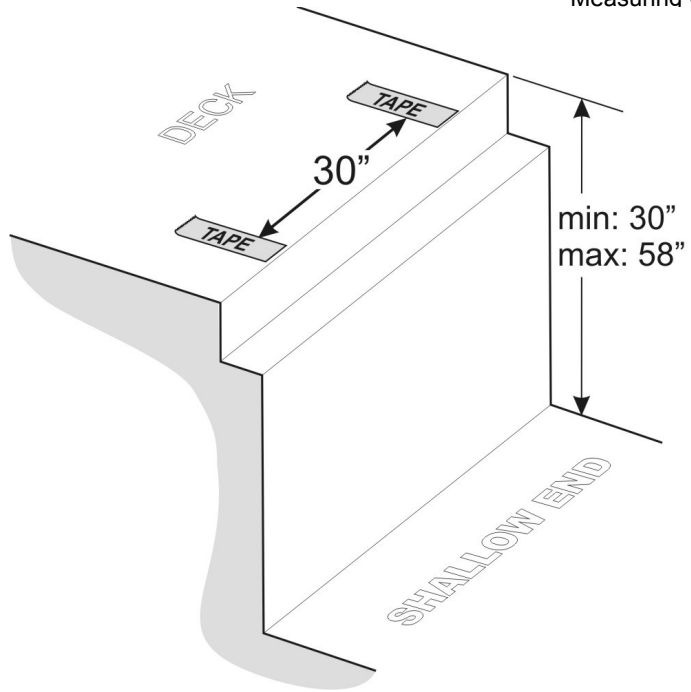
If you need assistance, please give us call at 800-729-7514 (8a-4p M-F EST)

STEP 1

Determine a Location

Mark the pool deck with two pieces of masking tape 30" apart. This will represent the width of the installed ADA Easy Stair®.

The ADA Easy Stair® should always be installed in the shallow end of the pool and can be installed on a straight end or side wall. The minimum depth required is 36" and the maximum is 58" (measured from the deck level to the pool floor- not the water depth).

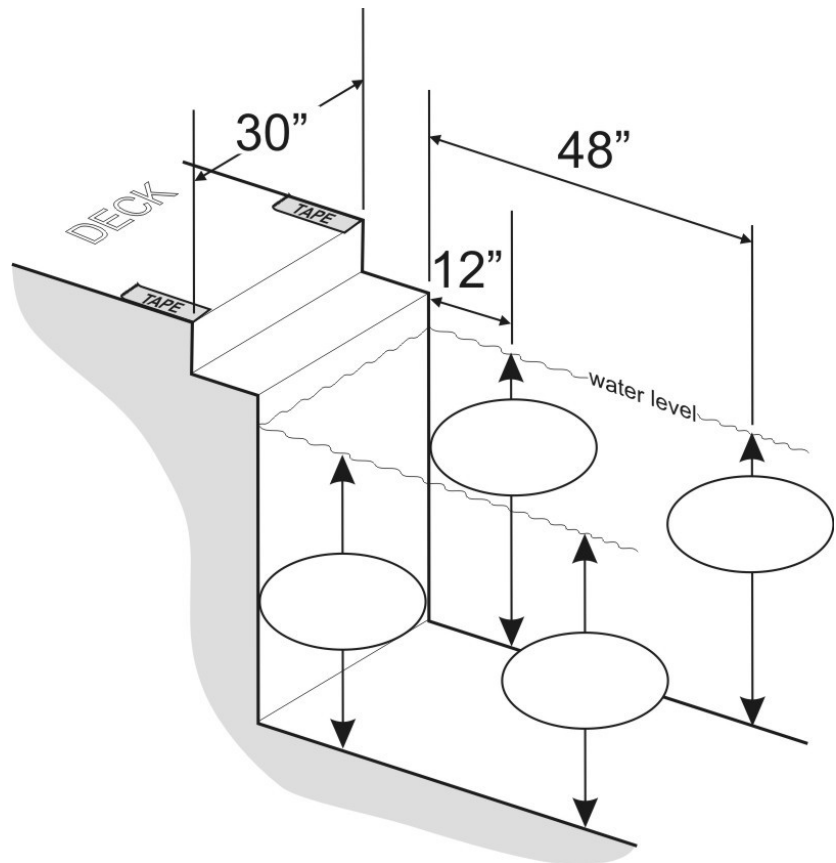


STEP 2

Determine the Water Depth at Four Points

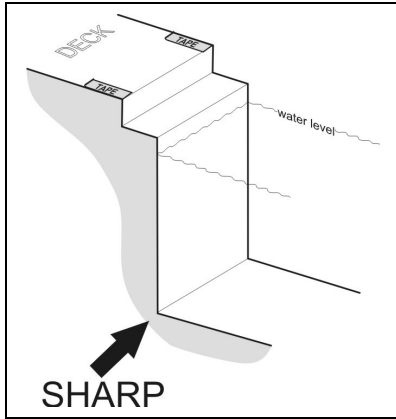
Using a tape measure, measure out over the water surface 12" from the pool wall, then measure down for the distance from the water level to the pool floor at that point. Record the measurement in the appropriate circle and repeat this process for the other 3 measurements.

Once completed, these dimensions will help us determine the actual distances from the **WATER SURFACE** to the **POOL FLOOR** at four points. We will also be able to determine what the **FLOOR PITCH** is (if any).

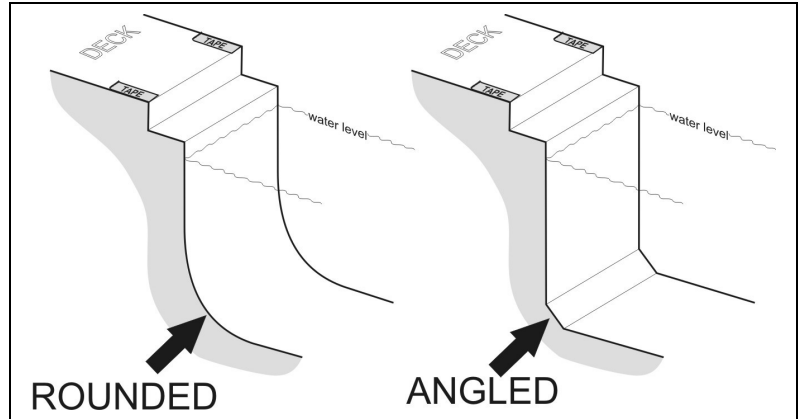


STEP 3 Determine the Pool's Floor/Wall Profile

Choose the diagram that most closely matches your pool wall/ floor profile.



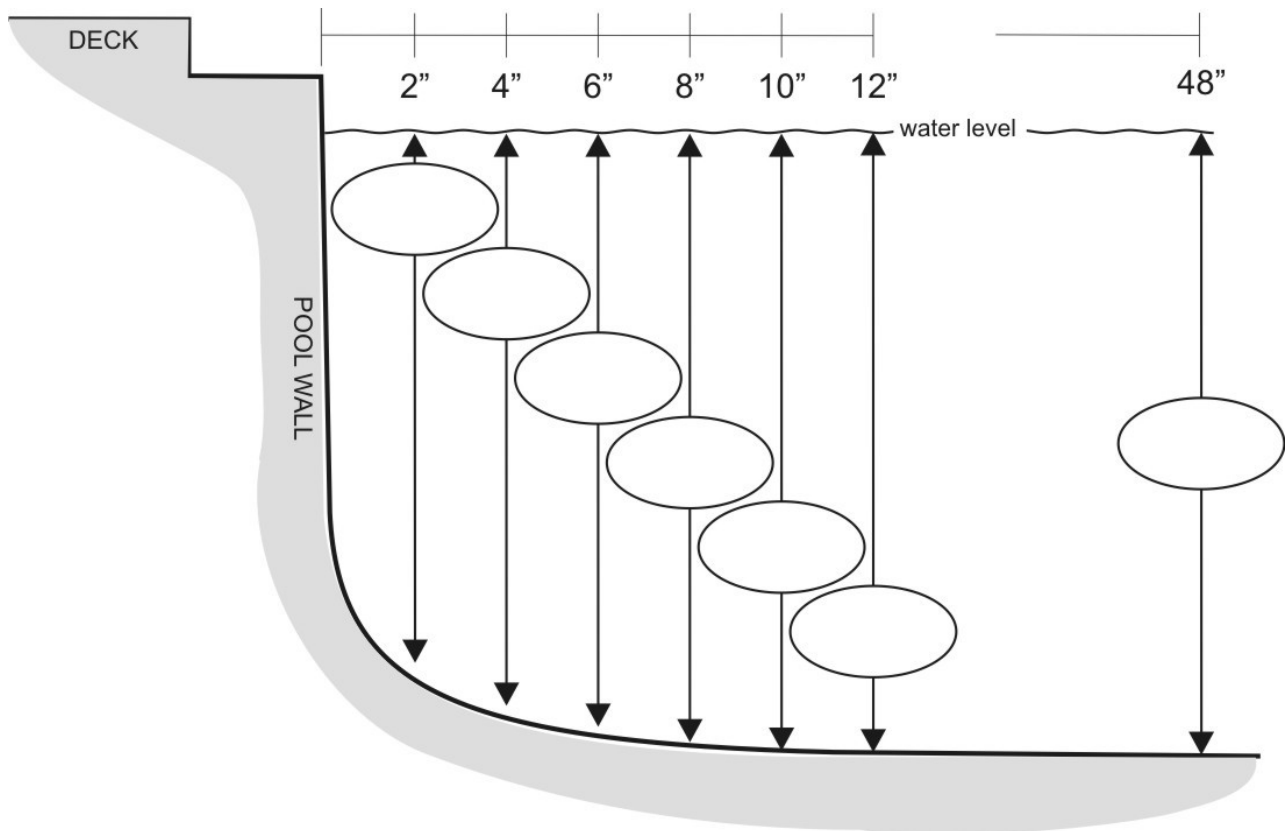
OR



SKIP TO STEP 4
 If your pool's floor and wall meet at a SHARP CORNER, skip to STEP 4.

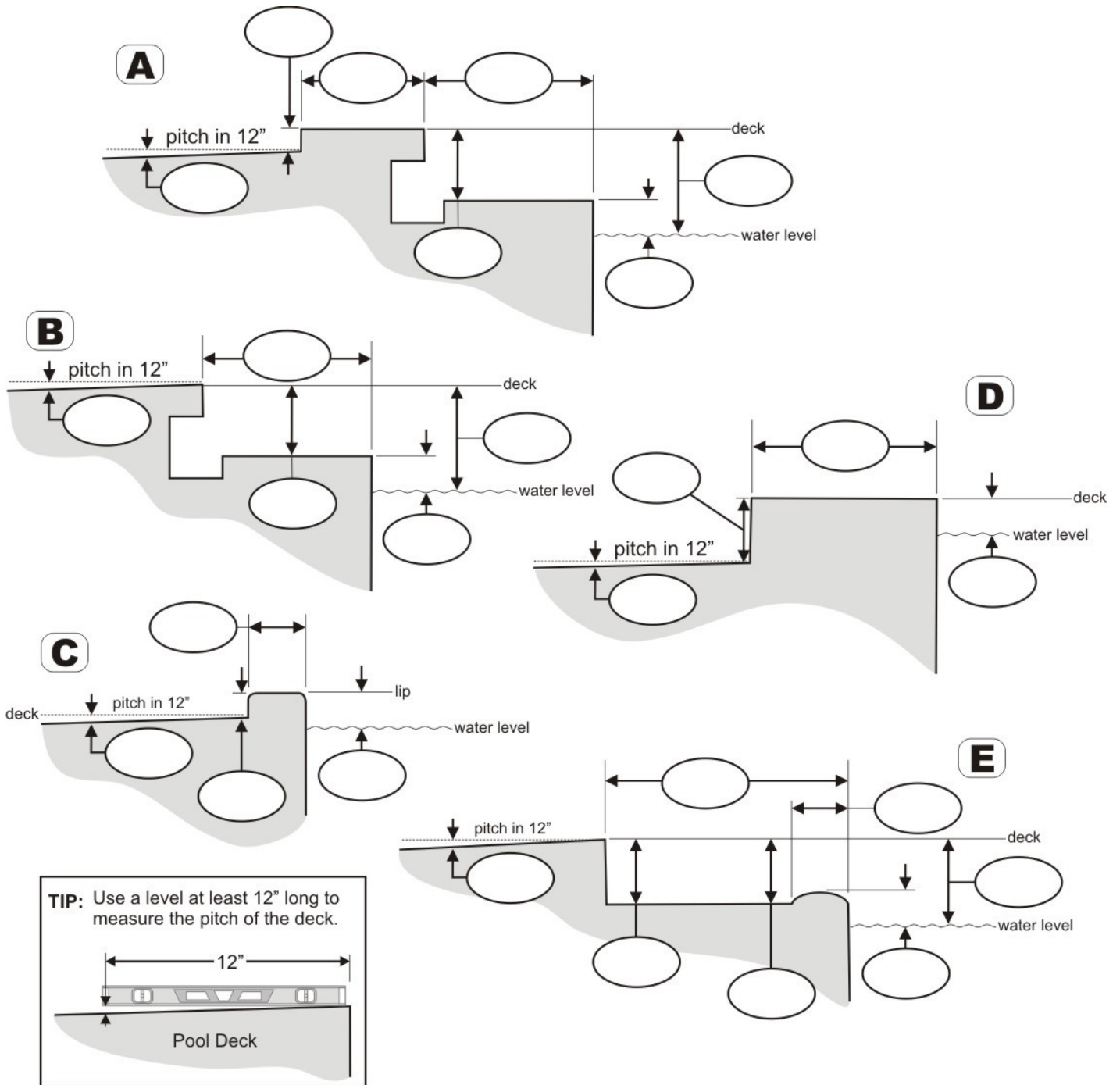
PROCEED BELOW
 If your pool's wall and floor meet at a ROUNDED or ANGLED CORNER, proceed to take the measurements needed below.

Measure out over the water surface from the pool wall and down to the floor beginning at the 2" out. Repeat this process in 2" increments up to 12" and then once at 48". Record the measurements in the appropriate circles.



STEP 4 Determine the Gutter Profile

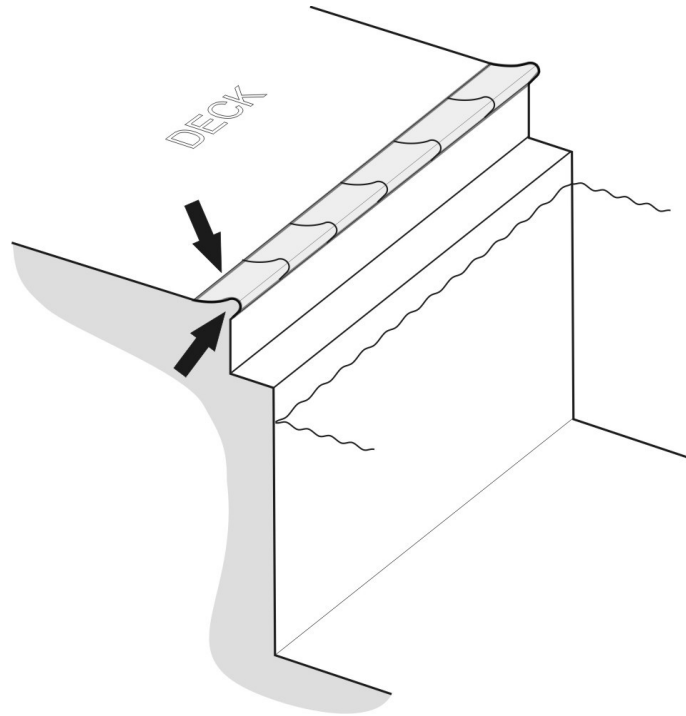
Choose the diagram that most closely matches your pool's gutter profile and fill in the circles with the appropriate measurements. If your gutter is different from these, draw it on a separate sheet of paper and submit it with your final measurements. Make sure to include all of the gutter profile dimensions that are shown below.



STEP 5 Does Your Pool Deck have a Bull-nose?

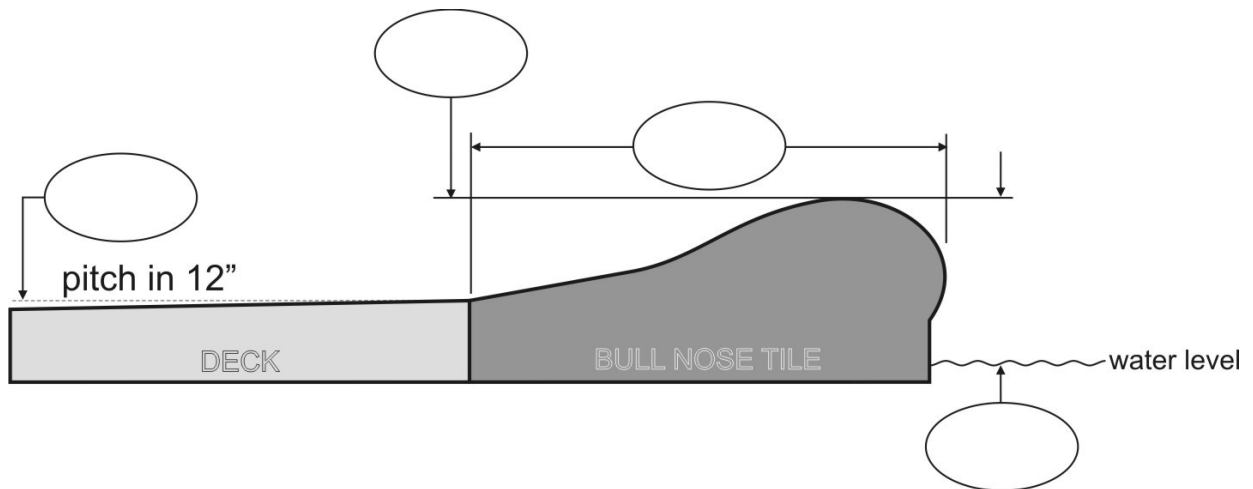
Some pool decks have bull-nose tile or coping stone that could interfere with the installation unless we know about it in advance.

- NO** – Skip to STEP 6
- YES** – Proceed below



Bull-nose Profile

Record your measurements in the bubbles below. If your pool's bull-nose profile is different from what's shown in the diagram, draw it on a separate sheet of paper and attaché it with your completed measurements.



STEP 6 Does Your Pool Have a Vinyl Liner? **NO** **YES**

Pools that are equipped with vinyl liners require a “Vinyl Foot Adapter” that we will provide. It will prevent the ADA Easy Stair® from damaging your liner.

STEP 7 Select a Color for your ADA Easy Stair® **Medium Blue** **Light Blue** **Safety Yellow****Contact Information**

Please tell us the name of the person who took these measurements and the best way to get in touch with you if we have questions.

Name: _____

Telephone #: _____

Email: _____

Best Time to Call: _____

Submit Your Measurements

You can send your measurement by fax, email or US Mail

FAX: 1-315-422-7629

EMAIL: LDALY@TRIADTEC.COM

US MAIL: Triad Technologies, Inc.
105 Spencer St.
Syracuse, NY 13204