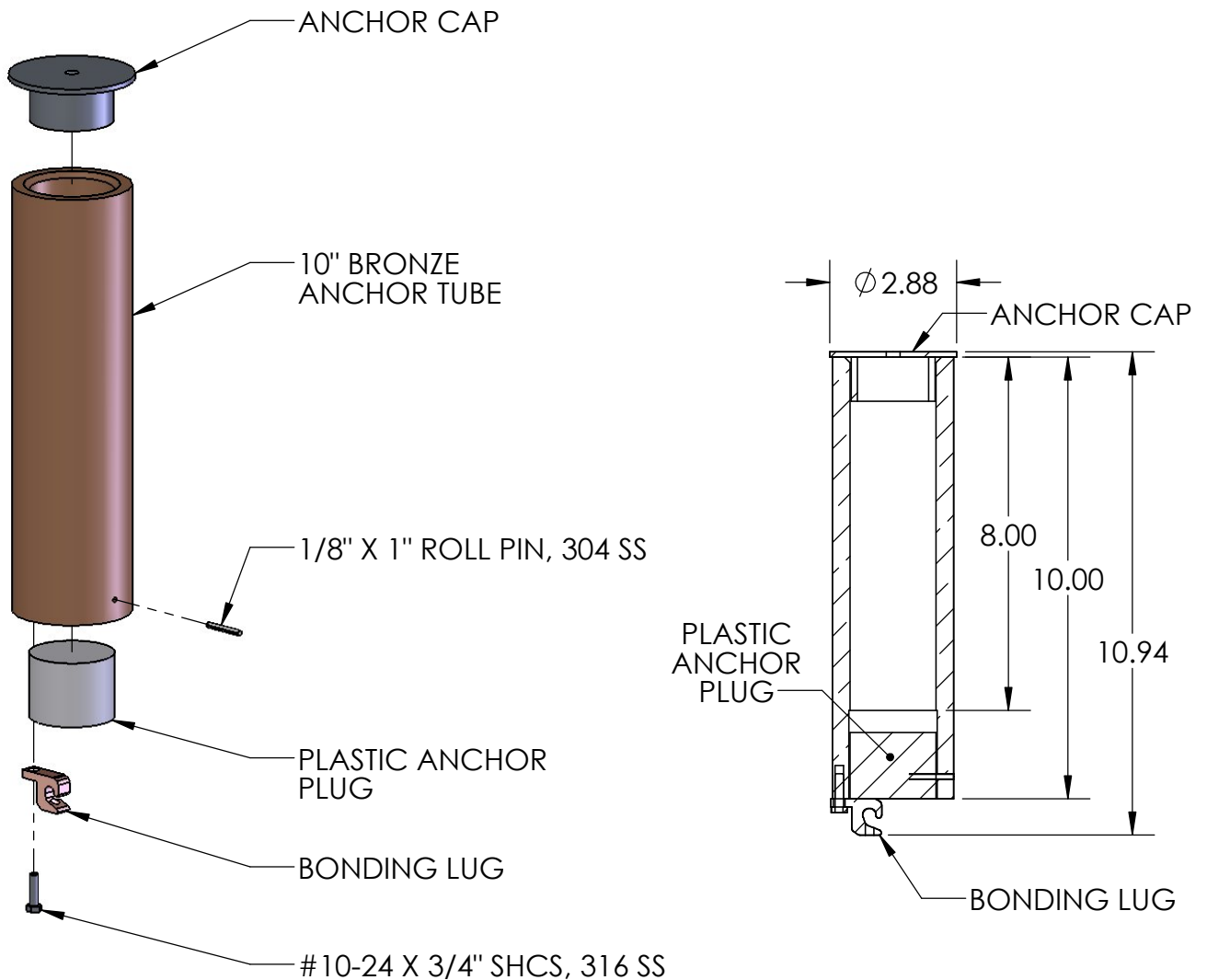


SCOUT 10" ANCHOR ASSEMBLY



THE SCOUT 10" ANCHOR ASSEMBLY INCLUDES ONE (1) 1.9" ID X 10" BRONZE ANCHOR, ONE (1) STAINLESS STEEL SCOUT ANCHOR CAP, ONE (1) HDPE ANCHOR PLUG, ONE (1) COPPER GROUNDING LUG, ONE (1) #10 SOCKET HEAD CAP SCREW, AND ONE (1) 1/8" ROLL PIN.



9889 GARRY MORE LANE
 MISSOULA, MT 59808
 (406) 549-0769
 FAX (406) 549-2602

NOTE:
 *SPECIFICATIONS ARE SUBJECT TO CHANGE WITHOUT NOTICE
 *ALL DIMENSIONS ARE IN INCHES

PRODUCT:	F-808SA-10	
DWG #:	F-808SA-10-1	
SCALE:	1:4	DATE: 2/17/15
DRAWN BY:	KR	REVISION: A