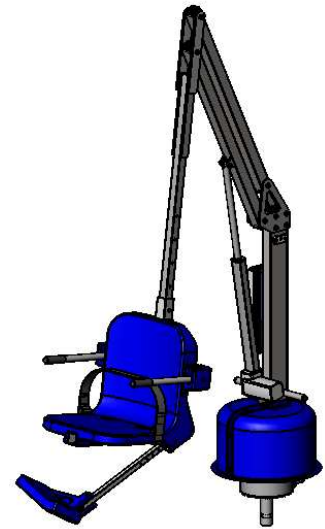


SCOUT 2 POOL LIFT

U.S. PATENT NO. D507,769 S

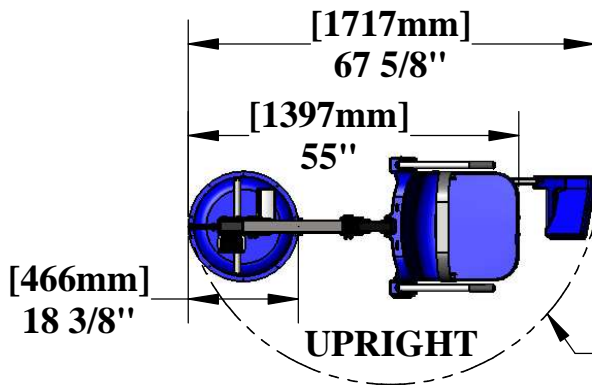
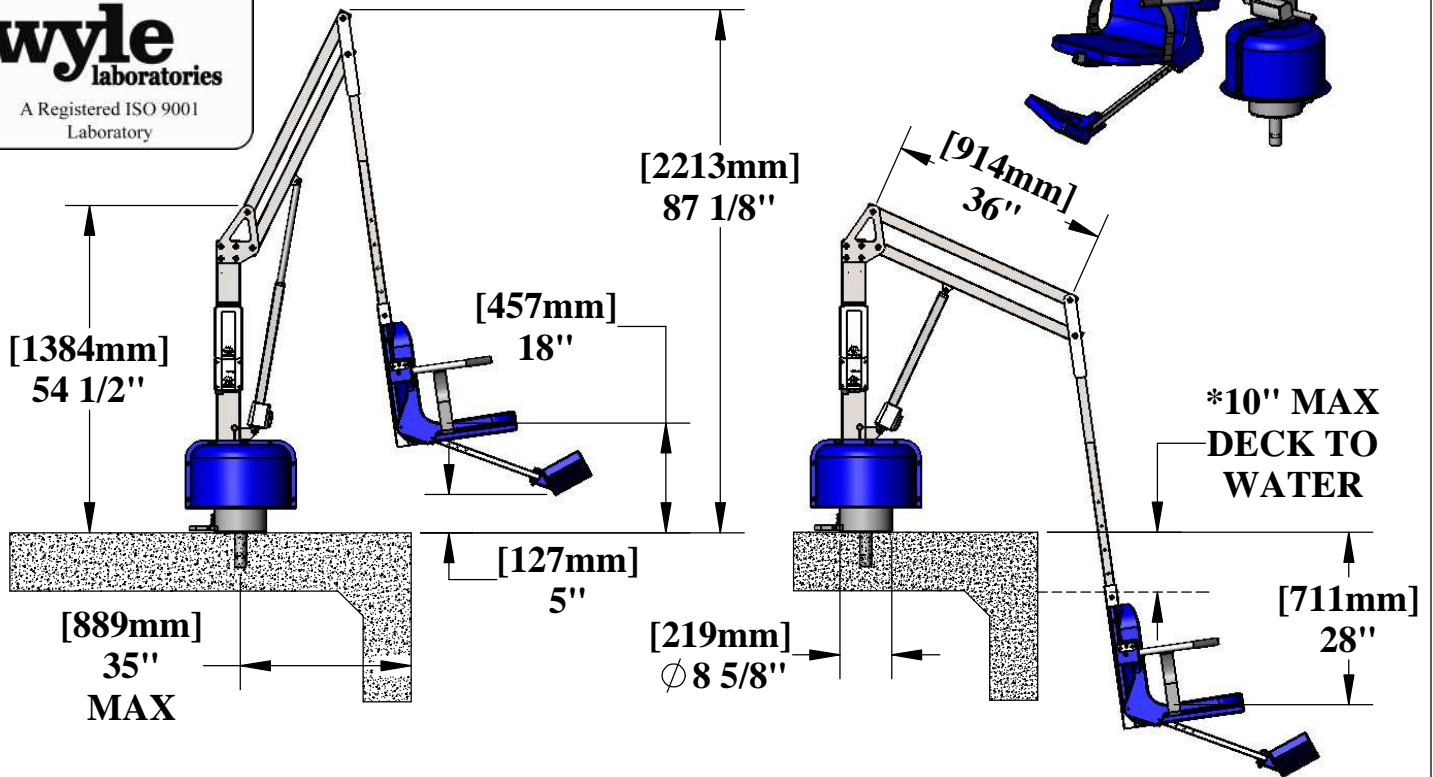
PRODUCT WEIGHT: 210lbs [95kg]
MAX WEIGHT CAPACITY: 375lbs [170kg]
MIN ANCHOR SETBACK: 19"
MAX ANCHOR SETBACK: 35"
MAX WATER DRAFT: *10"
SEAT HEIGHT ADJUSTMENT: 16" IN 4" INCREMENTS
ADA COMPLIANCE: THIRD PARTY VERIFIED BY WYLE LABS



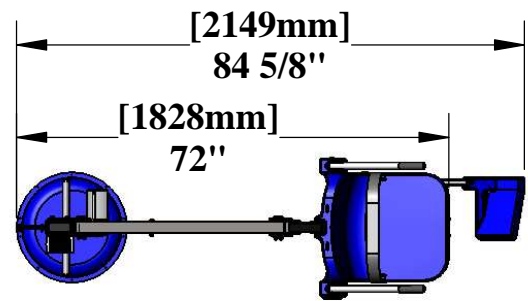
Inspected And Verified To Meet
 Applicable Sections of ADA
 Guidelines Section 1009.2 By

wyle
 laboratories

A Registered ISO 9001
 Laboratory



**CONTINUOUS
 360° ROTATION**



EXTENDED

MEASUREMENT TAKEN WITH THE LIFT AT FULL LOAD



The Total Solution for Pool and Spa Access

9889 GARRYMORE LANE
 MISSOULA, MT 59808
 (406) 549-0769
 FAX (406) 549-2602

NOTE:
 *SPECIFICATIONS ARE SUBJECT TO CHANGE WITHOUT NOTICE

PRODUCT:	SCOUT 2	
PART #:	F-800SC2	
SCALE:	1:32	DATE: 2/15/16
DRAWN BY:	KR	REVISION: A