

**Doheny's**<sup>®</sup>  
Pool Supplies FAST!

**Pro-Drive  
Robot Cleaner**  
Item # 90610

## INSTALLATION, OPERATION & PARTS



To prevent potential injury and to avoid unnecessary service calls, read this manual carefully and completely.

**SAVE THIS INSTRUCTION MANUAL** Use of aftermarket replacement parts voids warranty.

**ATTENTION INSTALLER – THIS MANUAL CONTAINS IMPORTANT INFORMATION ABOUT THE INSTALLATION, OPERATION, AND SAFE USE OF THIS CLEANER THAT MUST BE PROVIDED TO THE END USER OF THIS PRODUCT. FAILURE TO READ AND FOLLOW ALL INSTRUCTIONS COULD RESULT IN SERIOUS INJURY.**



***READ THESE IMPORTANT OPERATING  
TIPS BEFORE USING YOUR UNIT!***

---

Dear Owner:

Thank you for choosing robotic pool cleaner. In order to achieve optimal performance, please read and follow these steps:

1. Cleaner filter bags should be thoroughly cleaned after each use or as often as needed to ensure cleaner's optimal performance.
2. Before using your cleaner and especially when opening the pool for the first time remove larger items from the pool that may diminish the cleaner's performance. Clean filter bags frequently when pool is excessively dirty.
3. Cleaner may stop in the middle of the pool and reverse during cleaning cycle. This is a normal part of the programmed cycle.
4. DO NOT start cleaner out of the water. Power button should only be switched to "I" position when unit is submerged. The unit will automatically shut off, but it is best to put power switch in "O" position when unit completes cleaning.
5. The electric supply connection shall be made by a qualified electrician and comply with IEC 60364-1. It is recommended that the electric supply to this machine should include either a residual current device that will interrupt the supply if the leakage current to earth exceeds 30 mA for 30 ms or a device that will prove the earth circuit.
6. The power supply box (including safety isolated transformer) of swimming pool cleaner must be located at minimum 3.5 meters away from the pool edge and minimum 2.5 meters overtop of top edge of pool (outside Zone 1 defined in IEC 60364-7-702).
7. The length of the supply cord of power supply box is maximum 0.5 meters.






## CAUTION

1. This appliance can be used by children aged from 8 years and above and persons with reduced physical, sensory or mental capabilities or lack of experience and knowledge if they have been given supervision or instruction concerning use of the appliance in a safe way and understand the hazards involved. Children shall not play with the appliance. Cleaning and user maintenance shall not be made by children without supervision.
2. If the supply cord is damaged, it must be replaced by the manufacturer, its service agent or similarly qualified persons in order to avoid a hazard.
3. The pump must be supplied through a residual current device (RCD) having a rated residual operating current not exceeding 30 mA.
4. Do not operate the cleaner when people are in the pool.
5. CAUTION -The control box of the appliance must be fixed to the ground or the wall securely! Never operate the unit without fixing the control box first!
6. CAUTION -The control box must be fixed at a minimum distance of 3.5m from the edge of the swimming pool!"
7. CAUTION-The appliance is only to be used with the power unit provided with the appliance.




### Important Safety Precautions

Attention User: This manual contains important information that will help you in operating and maintaining this pool cleaner. Please retain it for reference.

WARNING - Before installing this product, read and follow all warning notices and instructions which are included. Failure to follow safety warnings and instructions can result in severe injury, death, or property damage. Consumer Information and Safety service after installed, operated and maintained according to the information in this manual. Be sure to read and comply with all of the warnings and cautions.

 <b>DANGER</b>	Risk of electrical shock or electrocution The electrical supply to this product must be installed in accordance with all applicable local codes and ordinances. Improper installation will create an electrical hazard which could result in death or serious injury to pool users or others due to electrical shock, and may also cause damage to property.
 <b>WARNING</b>	Do not play with cleaner or cable or apply to body. Can trap or tear hair or body parts. Cable can trip or entangle swimmers which could result in drowning.
 <b>WARNING</b>	The control box of appliance must be fixed securely on the ground wall. Never operate the unit without fixing.
 <b>WARNING</b>	To reduce the risk of injury, do not let children use or play with pool cleaner.
 <b>CAUTION</b>	Before installing the cleaner, understand cleaner coverage. The cleaner was not designed to automatically clean steps or to work under a solar cover. It was also not designed to do initial cleanup for a new pool installation.

## Operating the Robotic pool cleaner

 <b>WARNING</b>	Your cleaner should not be used while people are swimming in the pool.
 <b>WARNING</b>	The electric supply connection shall be made by a qualified electrician and comply with IEC 60364-1. It is recommended that the electric supply to this machine should include either a residual current device that will interrupt the supply if the leakage current to earth exceeds 30 mA for 30 ms or a device that will prove the earth circuit.
 <b>CAUTION</b>	Do not allow swimmers in the pool while pool cleaner is operating. DO NOT switch on the pool cleaner if it is not immersed in the water. Operating the cleaner out of the water may cause severe damage and will result in loss of warranty. Always remember to turn the power supply "O" and unplug it from the power outlet before removing the cleaner from the pool.

### GENERAL INFORMATION

Congratulations! You have got the most advanced automatic swimming pool cleaner. The robot is easy to use, and will help you cleaning your swimming pool. Operated according to this manual, your robot will clean your pool quickly and effectively.

### PLEASE READ AND FOLLOW ALL INSTRUCTIONS CAREFULLY BEFORE PUTTING YOUR CLEANER INTO USE.

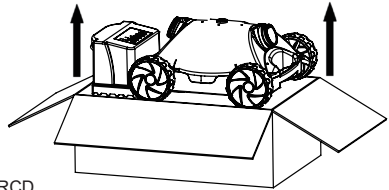
Deterioration, discoloration or brittleness of any pool finish can be caused over time separately by, or in combination with, age, incorrect pool water chemistry, improper installation, and other factors. Customer hereby disclaims any and all claims, and releases Manufacturer from any and all claims for damages to any pool plaster or vinyl liner in Customer's pool by reason of the use and/or operation of the Cleaner. Under no circumstances shall the Manufacturer be liable for any loss or damage, whether direct, consequential or incidental, arising out of the use or inability to use the cleaner in customer's pool.

### FEATURES

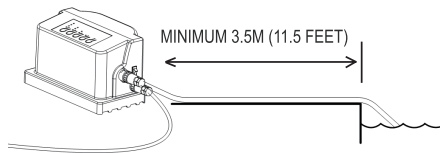
- The swimming pool cleaner is independently scrubs, vacuums, and filters your pool.
- No installation, no attachments. Just drop it in and turn it on. It is completely automatic.
- Electro nic Self-Diagnostics and overload Protection.
- It can be serviced in all shapes of pools.

## GENERAL OPERATING INSTRUCTIONS

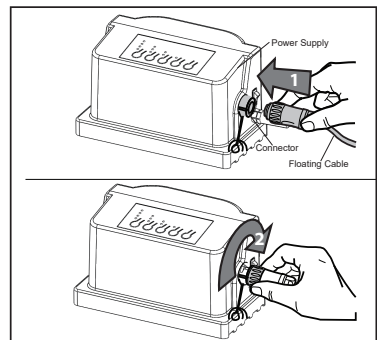
Remove the CLEANER by placing the carton down and removing it from the box as shown. If the Caddy Cart is included, the CLEANER and the Power Supply will be premounted to the cart.



1. Select the nearest 115V~ voltage AC outlet protected by RCD.
2. The control box must be fixed at a minimum distance of 3.5m from the edge of the swimming pool and minimum 2.5 meters overtop of top edge of pool (outside Zone 1 defined in IEC 60364-7-702). Never operate the unit without fixing the control box first. The length of the standard CLEANER cable is 42 feet.



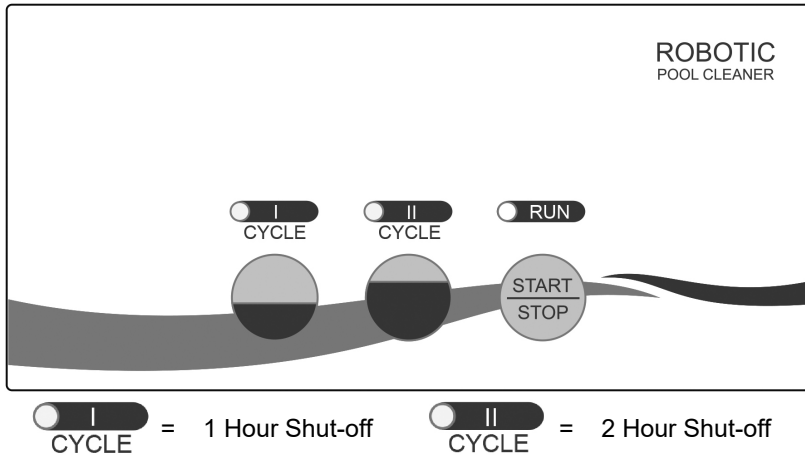
3. Connect the floating cable to the power supply control box. Use only the original Power Supply manufactured by Splash. Connect the floating cable to the control box as follow photo. Make sure they are connected correctly. (The fitting on the cleaner floating cable should be connected with the control box by turn at the clockwise direction).



4. Place the CLEANER in the pool. It will slowly sink to the bottom of the pool as the air inside is released.
5. Connect the power supply to the GFCI protected outlet and switch it on. The CLEANER will run according to the procedures set to do the cleaning cycle.  
**CAUTION - DO NOT switch on CLEANER when the CLEANER is out of water. This may result in damage to the pump and drive motor seals, which will VOID the warranty.**
6. Choose the program and start:

- a. To turn the power supply ON, press and release the power button once.
- b. To turn the power supply OFF, press and release the power button. Light will turn OFF.
- c. The power supply has 2 settings. Each setting is determined by the pool size and cleanliness as well as for how long you would like to run the cleaning cycle.
- d. You have an option for CYCLE I and CYCLE II, CYCLE I is for SMALL POOL and CYCLE II is for LARGE POOL, press the button to get your correct setting.
- e. After setting, press STRAT button to start the machine.
- f. If you would like to change the cycle mode during the machine is working, press STOP first, then select the cycle mode you need, after 5 seconds, press START again.

Should a second cleaning cycle be required, switch OFF the power supply for 5 seconds and restart. 8



8. After the pool has been cleaned, switch OFF the power supply before removing the CLEANER from the pool.
9. Remove the CLEANER from the water at the shallow end of the pool by pulling the cable until the CLEANER reaches the surface. Then lift it out of the water using the handle, NOT the cable.
10. Do not operate the cleaner when people are in the pool.
11. The appliance is only to be used with the power unit provided with the appliance.

**Caution: When pulling the cable, reel it in hand-over-hand, DO NOT reel it around your arm. The floating cable should be straight before and after work.**

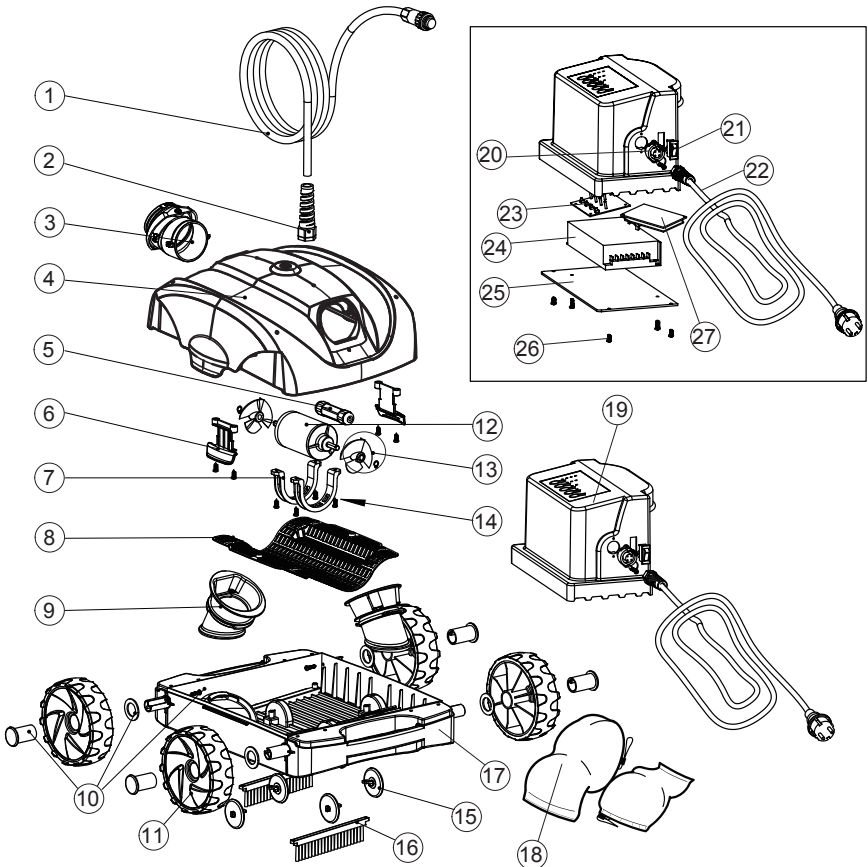
### **DO NOT ENTER THE SWIMMING POOL WHEN THE CLEANER IS OPERATING**

The operating water temperature range for the CLEANER is 10°C - 35°C.

The operating depth of CLEANER is minimum 0,5m , maximum 3m.

Remove the CLEANER from the pool after each use. Keeping the CLEANER permanently in the pool may result in additional service requirements.

# Pro-Drive Robot Cleaner Item # 90610



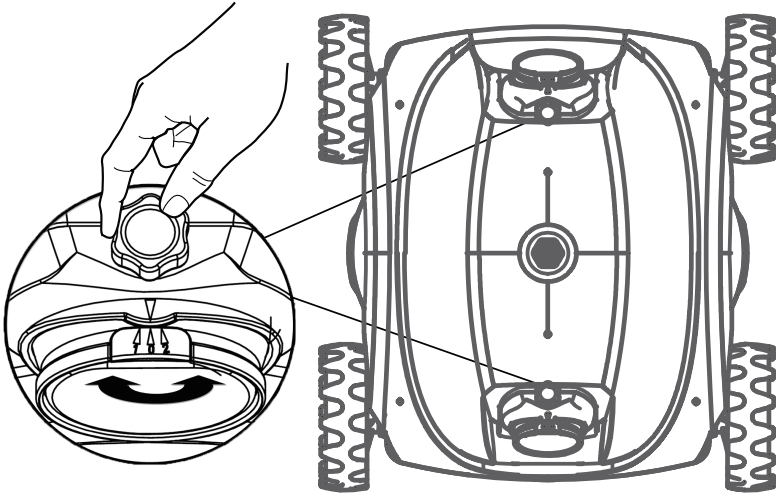
- 1. Floating Power Cord
- 2. Power Cord Fixing Joint
- 3. Universal Drain Assembly
- 4. Top Cover
- 5. Water-proof Joint
- 6. Grabbing Clip
- 7. Motor Mounting Assembly
- 8. Motor Filtration Cover
- 9. Filtration Bag Supporting Assembly
- 10. Wheel Axle Assembly

- 11. Wheel with Coating
- 12. Either rotating motor
- 13. Impeller
- 14. Screw ST3.9\*11.6-C-H
- 15. Anti-bumping Wheel Assembly
- 16. Replacement Brush
- 17. Main Body Base
- 18. Filtration Bag
- 19. Control Box
- 20. Power Cord Socket

- 21. ON/OFF Switch
- 22. Power Cord with Plug
- 23. PCB Board
- 24. Power Inverter
- 25. Aluminum Plate
- 26. Screw ST4.2\* 8-F-H
- 27. Driver Board

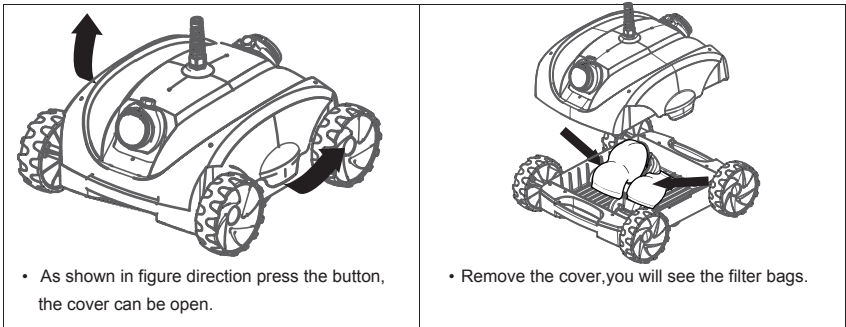
### Directional Angle adjustment

The cleaner has two outlets and the direction angle of each outlet is adjustable during running. If the angle is not satisfying, stop the cleaner, unscrewed the screw as shown in the figure, manually adjust to a proper position(angle dimension: 0 • 1• 2); after adjusting, tighten the screws.

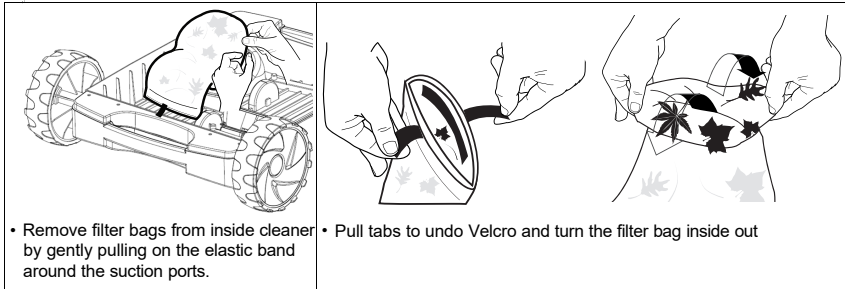


### Maintenance

Clean the filter bags after each use:







Filter cleaning solution can be used to remove excessive dirt and/or sand.

Remember: The cleaner your filter is, the more efficient the CLEANER will perform.

Periodic Cleaning of Moving Parts



**WARNING:** Disconnect the power supply from electrical outlet before

cleaning moving parts.

- Inspect the venture to ensure that no debris or hair has clogged the impeller.
- The impeller can be cleaned by spraying it with a garden hose.

Remove any debris that has accumulated on the wheels

### Storage

When out of the water, store the CLEANER in a dry, shady location at temperatures between 4°C and 46°C.

### Cable Care

With continued use, the cable may become coiled (like a telephone cord). To correct this, periodically stretching the cord out in the sun should remove any cord twists.

**IMPORTANT:** The cable should be checked periodically for any external damage.

## Important Tips

- Cleaning the filter bags after every use maximizes the unit's performance.
- Replace worn brushes.
- In a pool with usually high calcium content, more frequent cleaning of the filter is recommended.
- Save the CLEANER original carton for extended storage or shipping requirements when CLEANER require dealer service.
- **The sealed Motor Unit and the Power Supply contain no user-serviceable parts.**
- **Opening them will automatically VOID your warranty.**
- Remove items such as thermometer, toys and the like from the pool before operating the unit. Such items can jam the cleaner and cause damage to the unit and/or your pool.

## Troubleshooting

If CLEANER fails to pick up fine or heavy debris:

- Clean the filter bags. It may be clogged. A filter cleaning solution can be used to remove excessive dirt and/or sand.

If CLEANER starts working momentarily but then stops working:

- Impeller may be clogged or jammed with debris. Check and clean if necessary following the instructions in the maintenance section.
- There are 2 inlets located at bottom of the cleaner and near the brushes. Inlets located next to the brushes help collect debris such as leaves and sand better than single inlet.
- For the cleaners used in areas that have a lot of sand the cleaner may need to be rinsed with water at the main body base and may need rinsing at the cover and outlet to allow free operation.
- During the normal operating cycle of the cleaner, the unit will rise to allow the unit to clear obstacles, such as elevated main drains and stair steps.

If a cleaner has poor coverage of the pool in one cycle or only covers a small area, check the filter and clean if necessary and make sure the unit is not getting caught on drains, floor cleaning heads or toys. The user may try starting the cleaner in different locations to find the optimum cleaning location.

If debris falls from cleaner while removing from pool, it may be caused by filter overload, increase frequency of filter cleaning. Assure that there is no large debris blocking any of the two inlets. Large debris must be removed from the pool before using machine. If drain flaps are out of place or stuck by sand or leaves in the open position, the flaps can be snapped back into place, after cleaning the area.

Avoid dropping or throwing machine into pool. Place cleaner away from the pool wall but do not throw the cleaner in the pool.

If the location cord gets twisted which can be caused by the cleaner working for too long time, it can be straightened by laying the location cord at full length if possible in the sun; heat from the sun will help reduce the twisting.

If a high level of debris is visible through the outlet, remove cleaner quickly from the water to reduce the chance of the debris escaping the filter bag and reentering the pool.

Current Consumption	1.3 amps	
Weight	7.1kg	
Interconecotion cable Lengthth	13 meter	
Materials	High Impact ABS - Metal Parts of Stainless Steel	
The depth of the pool	3 m ≥ H ≥ 0.5 m	
Motor Unit	PUMP	PCB
Speed (rpm)	4500	-
Voltage	21V DC	3.3V DC
Current (amp)	7	-
Waterproof Sealing	Double Redundant Radial Shaft Seals .	
Overload Protection	Electronic Overload Monitoring w/auto-shutoff.	
Filter		
Type	Removable, Re-Usable	
Cleaning Routine Control		
Type	Adaptive Seek Control Logic (ASCL™) Microprocessor	
Cleaning Cycle	CYCLE I	CYCLE II
Drive System	Thrust drive	
Power Supply		
Input Primary Voltage	115 volt AC	
Output Secondary Voltage	24V DC	
Rated Output Current	7 amps	
Weight	2.1 kg	

Shipping			
ROBOTIC Pool Cleaner	Length	Width	Height
Carton Dimensions (mm)	690	360	485
Shipping Weight	14.22kg		

## IMPORTANT SAFETY INSTRUCTIONS

The CLEANER automatic swimming pool vacuum cleaner has been manufactured with the highest degree of care and concern for safety. We suggest the following safety precautions become part of your pool safety regulations:

### SAVE THESE INSTRUCTIONS

1. ALWAYS PUT THE MACHINE INTO THE WATER BEFORE CONNECTING IT TO THE ELECTRICAL OUTLET.
2. IT IS IMPORTANT FOR SWIMMERS' SAFETY TO REMOVE THE UNIT IMMEDIATELY FOLLOWING USE. THIS CAN ALSO IMPROVE THE OPERATING LIFE OF YOUR CLEANER.
3. BE CERTAIN THE MACHINE IS ONLY PLUGGED INTO A GROUNDED ELECTRICAL OUTLET EQUIPPED WITH AN APPROVED AND PROPERLY OPERATING GROUND FAULT CIRCUIT INTERRUPTER (GFCI).
4. DO NOT HANDLE MACHINE WHILE IT IS PLUGGED INTO THE ELECTRICAL OUTLET.
5. DO NOT USE AN EXTENSION CORD. THIS COULD CREATE A SAFETY HAZARD AND/OR DAMAGE YOUR CLEANER.
6. **ALWAYS STAY OUT OF THE POOL WHILE CLEANER IS IN OPERATION.**
7. NEVER ALLOW PLUG TO ENTER THE POOL.
8. DO NOT OPERATE THE MACHINE OUT OF WATER. THIS WILL DAMAGE THE MOTOR SEAL AND VOID THE WARRANTY.
9. DO NOT DRAG THE MACHINE OUT OF THE POOL AGAINST THE SIDE WALL. THIS COULD DAMAGE UNIT AND/OR YOUR POOL WALL.
10. DO NOT BURY CORD. REPLACE DAMAGED CORDS.
11. WARNING - TO REDUCE THE RISK OF INJURY, DO NOT PERMIT CHILDREN TO USE THIS PRODUCT UNLESS THEY ARE CLOSELY SUPERVISED AT ALL TIMES.
12. IF THE SUPPLY CORD IS DAMAGED, IT MUST BE REPLACED BY THE MANUFACTURER, ITS SERVICE AGENT OR SIMILARLY QUALIFIED PERSONS IN ORDER TO AVOID A HAZARD.

**While the CLEANER has been made to operate as safely as possible, we suggest you exercise reasonable care in the handling of the vacuum and inspect the electrical cord frequently for damage or wear, as with any other electrical appliance. After use, remove the unit and rinse with fresh water and remove any twists that may be present in the cord.**

### PREVENTATIVE MAINTENANCE

In order to maximize efficiency and receive long term service of your unit, we suggest the following:

- Thoroughly rinse entire unit after use.
- Clean filter bags thoroughly after each use—a clogged filter can decrease efficiency dramatically.
- Remove any twists in the cord after each use. Twisting should be minimal if the unit is functioning properly. Laying cord, straightened out in sunlight is helpful.
- Avoid allowing the unit to "cool down" in the water.
- Inspect filter bags frequently. Replace when necessary.

# 1 Year Limited Doheny's Pool Pump Warranty

Please read installation instructions before installing pool pump

This pump was inspected before shipment from our warehouse. To original purchasers of this pump, Doheny Enterprises, Inc., 10411 80th Ave, Pleasant Prairie, WI, warrants its products free from defects in materials and workmanship for a period of **ONE (1)** year from the date of purchase.

Parts which fail or become defective during the warranty period, except as a result of freezing, negligence, improper installation, use, or care, shall be replaced, at our option, without charge, within 90 days of the receipt of defective product, barring unforeseen delays.

After 90 days, to obtain warranty replacements, defective components should be returned, transportation paid, to the place of purchase. For further Doheny's service, contact Doheny's customer care department. No returns may be made directly to the factory without the express written authorization of Doheny Enterprises, Inc.

To original purchasers of this pump, Doheny Enterprises, Inc. warrants its pump housing/strainer to be free from defects in materials and workmanship for a period of **ONE (1)** year from the date of purchase.

Strainers which become defective during the warranty period, except as a result of freezing, negligence, improper installation, use or care, or as the result of a use in association with an automatic valving system.

All other conditions and terms of the standard warranty apply.

Doheny shall not be responsible for cartage, removal and/or reinstallation labor or any other such costs incurred in obtaining warranty replacements.

The Doheny Enterprises, Inc. warranty does not apply to components manufactured by others. For such products, the warranty established by the respective manufacturer will apply.

Some states do not allow a limitation on how long an implied warranty lasts, or the exclusion or limitation of incidental or consequential damages, so the above limitation or exclusion may not apply to you.

This warranty gives you specific legal rights, and you may also have other rights, which vary from state to state.

## General Maintenance

1. Clean strainer basket regularly. Do NOT strike basket to clean. Inspect strainer cover gasket regularly and replace as necessary.
2. Pumps have self-lubricating motor bearings and shaft seals. No lubrication is necessary.
3. Keep motor clean. Ensure air vents are free from obstruction to avoid damage. Do NOT use water to hose off motor.
4. Occasionally, shaft seals must be replaced, due to wear or damage.

## Storage/Winterization

1. Do not purge the system with compressed air. Use only a low pressure (below 5 psi), high volume blower when air purging the pump, filter or piping.
2. Allowing the pump to freeze will void the warranty.
3. Use ONLY propylene glycol as antifreeze in your pool/spa system.
4. Drain all water from pump and piping when expecting freezing temperatures or when storing pump for a long time.
5. Keep motor dry and covered during storage. To avoid condensation/corrosion problems, do NOT cover or wrap pump with plastic film or bags.