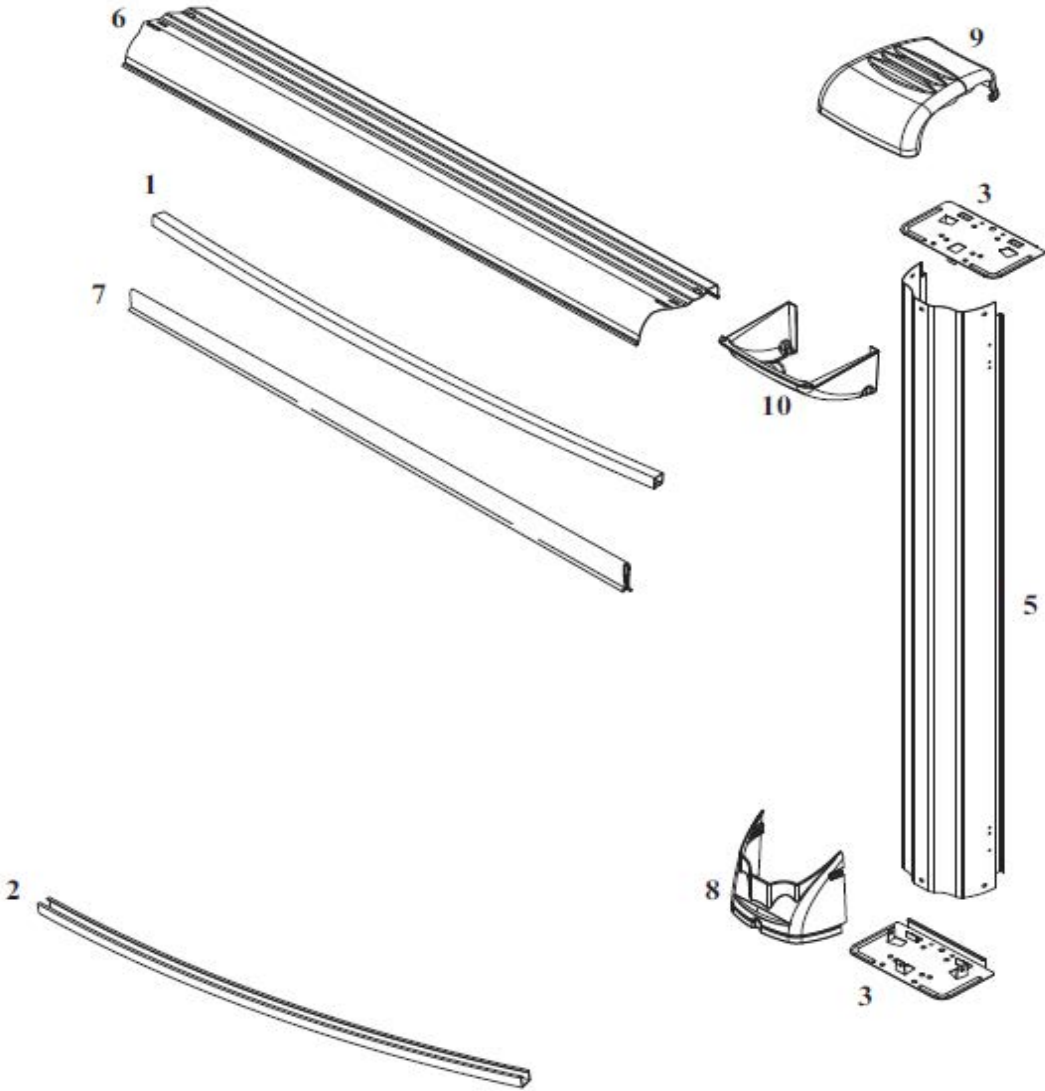


AMBIENCE ROUND
ZCAYIMP-52SSPSSD3-001**



Ambience Round
ZCAYIMP-52SSPSSD3-001**

Quantities Required for Installation (by size)

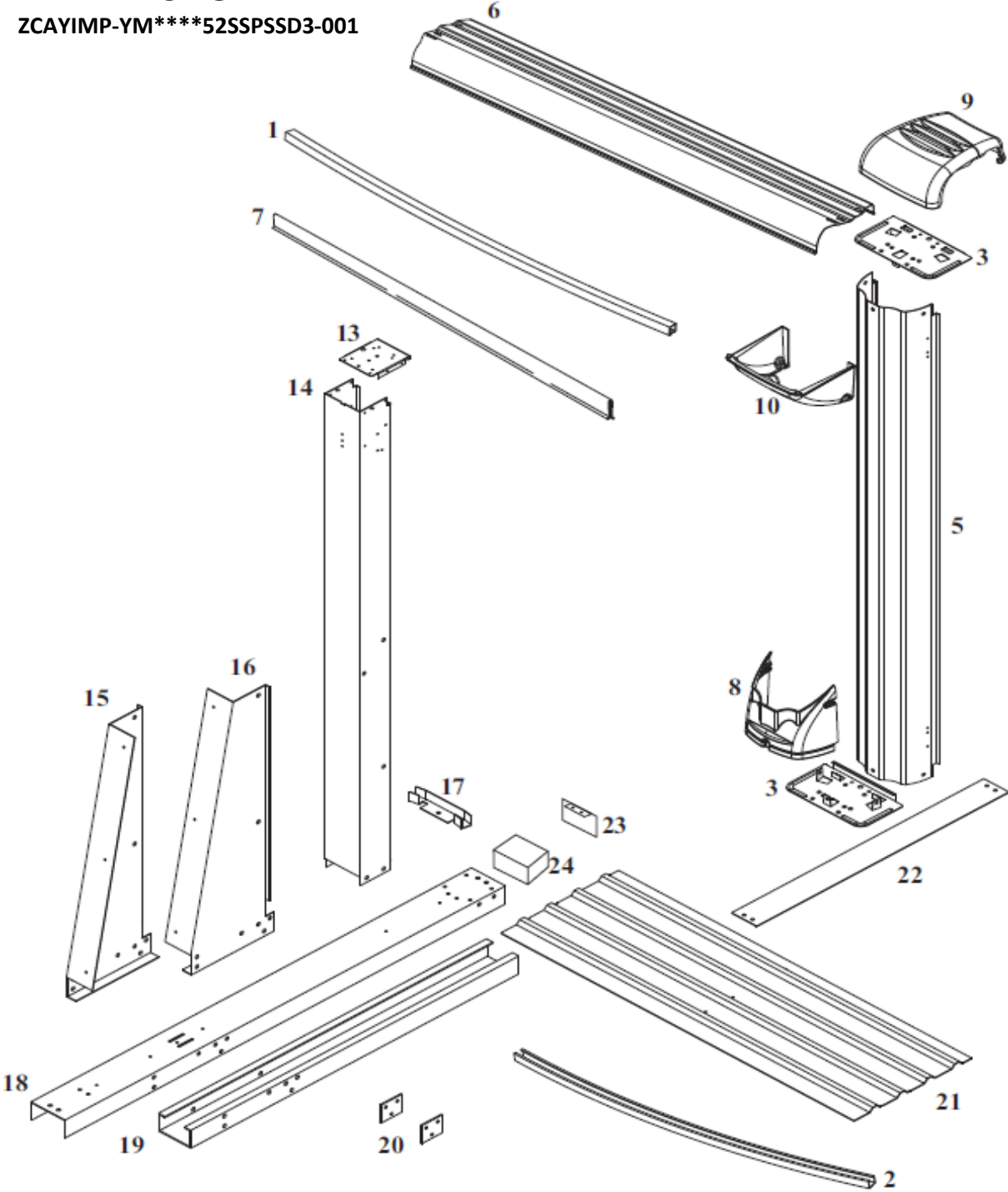
9/15/2022

Index #	Description	Part #	Length	15	18	21	24	27	30	33	Retail Price
6	Top Rail Curved	27626	56-5/32"	10	12	14	16	18	20	22	\$76.81
5	Upright	19611	51.8125"	10	12	14	16	18	20	22	\$64.01
9	Top Cap	27393	8"	10	12	14	16	18	20	22	\$29.52
10	Top Cap Support Curved	27392	8"	10	12	14	16	18	20	22	\$24.81
8	Top Cap Boot	33059	8"	10	12	14	16	18	20	22	\$23.24
3	Top / Bottom Plate	19164	8"	20	24	28	32	36	40	44	\$8.10
7	Plastic Coping	10296	48"	12	14	16	19	21	24	25	\$2.62
1	Inner Stabilizer	38502	53-1/4"	11							\$12.54
1	Inner Stabilizer	38503	54-1/8"		13						\$12.80
1	Inner Stabilizer	38505	54-7/16"			15					\$12.80
1	Inner Stabilizer	38506	52-1/4"				18				\$12.02
1	Inner Stabilizer	38507	52-7/8"					19			\$12.54
1	Inner Stabilizer	38509	51-1/4"						21		\$12.02
1	Inner Stabilizer	38510	53-3/8"							23	\$12.54
2	Bottom Rail	38737	54-1/8"	10							\$16.73
2	Bottom Rail	38738	54-7/16"		12						\$16.73
2	Bottom Rail	38739	54-5/16"			14					\$16.73
2	Bottom Rail	38740	54-1/8"				16				\$16.73
2	Bottom Rail	38741	54-1/4"					18			\$16.73
2	Bottom Rail	38742	54-1/4"						20		\$16.73
2	Bottom Rail	38743	54-1/4"							22	\$16.73
*	Wall	WSHM52S-WMN15-568Z	15'	1							Call For Pricing
*	Wall	WSHM52S-WMN18-682Z	18'		1						Call For Pricing
*	Wall	WSHM52S-WMN21-795Z	21'			1					Call For Pricing
*	Wall	WSHM52S-WMN24-908Z	24'				1				Call For Pricing
*	Wall	WSHM52S-WMN27-1021Z	27'					1			Call For Pricing
*	Wall	WSHM52S-WMN30-1134Z	30'						1		Call For Pricing
*	Wall	WSHM52S-WMN33-1247Z	33'							1	Call For Pricing
*	Wall Bar	40335	52"	2	2	2	2	2	2	2	\$68.85
*	Hardware Stainless Steel	44-10053		1							\$126.97
*	Hardware Stainless Steel	44-10055			1						\$141.86
*	Hardware Stainless Steel	44-10057				1					\$160.41
*	Hardware Stainless Steel	44-10058					1				\$181.83
*	Hardware Stainless Steel	44-10060						1			\$204.05
*	Hardware Stainless Steel	44-10061							1		\$204.57
*	Hardware Stainless Steel	44-10064								1	\$160.41
*	Envelope Safety Stickers	95-0007		1	1	1	1	1	1	1	Call For Pricing
*	Installation DVD	36878		1	1	1	1	1	1	1	\$15.11

*May not be pictured

AMBIENCE OVAL

ZCAYIMP-YM****52SSPSSD3-001



**Ambience Yardmore Oval
PCAYIMP-YM****52SSPSSD3-001**

Quantities Required for Installation (by size)

9/15/2022

Index #	Description	Part #	Length	1217	1224	1526	1530	1833	Retail Price
6	Top Rail Curved	27622	40-9/32"	12	10				\$55.13
6	Top Rail Curved	27624	51-11/32"			10	10		\$70.27
6	Top Rail Curved	38361	52-3/32"					12	\$71.59
6	Top Rail Straight Side	27627	41-13/32"	2	8	8	10	10	\$56.70
5	Upright	19611	51.8125"	10	12	12	12	14	\$64.01
14	Wrap Upright Oval	35738	52"	4	6	6	8	8	\$111.56
9	Top Cap	27393	8"	14	18	18	20	22	\$29.52
10	Top Cap Support Curved	27392	8"	10	12	12	12	14	\$24.81
10	Top Cap Support Straight Side	21177	8"	4	6	6	8	8	\$28.48
8	Top Cap Boot	33059	8"	10	12	12	12	14	\$23.24
3	Top / Bottom Plate	19164	8"	20	24	24	24	28	\$8.10
13	Top Plate Oval	10136	4"	4	6	6	8	8	\$3.14
7	Plastic Coping	10296	48"	14	16	18	19	21	\$2.62
1	Inner Stabilizer	38501	42-5/8"	12	10				\$10.19
1	Inner Stabilizer	38502	53-1/4"			10	10		\$12.54
1	Inner Stabilizer	38503	54-1/8"					12	\$12.80
1	Rim	38511	37"		4	4	4	4	\$8.88
1	Rim	38513	8"	4	6	6	8	8	\$1.82
1	Rim	38512	33"	2	4	4	6	6	\$7.83
2	Connector Bottom Rail Straight Side	16542	1"	4	6	6	8	8	\$4.19
2	Bottom Rail Corner	16714	39"		4	4	4	4	\$10.97
2	Bottom Rail	38736	38"	12	10				\$11.24
2	Bottom Rail	14950	49"			10	10		\$13.59
2	Bottom Rail	14949	50"					12	\$16.20
2	Bottom Rail Straight Side	16713	37-1/2"	2	4	4	6	6	\$10.45
19	Under Channel Yardmore	15933	45-9/16"	4	6	6	8	8	\$112.34
15	Yardmore Gusset Left	35740		4	6	6	8	8	\$81.24
16	Yardmore Gusset Right	35741		4	6	6	8	8	\$81.24
18	Strap Over Channel	16539	52-3/8"	4	6	6	8	8	\$131.14
22	Strap Section	16724	41-11/16"	4	6				\$15.41
22	Strap Section	16725	40-11/16"			9	12		\$15.16
22	Strap Section	16726	52-11/16"					12	\$19.60
23	Oval Channel End Cap	22726		4	6	6	8	8	\$2.62
24	Oval Channel Foam Block	29917	2x4x4-1/8"	4	6	6	8	8	\$6.53
21	Pressure Plate	16549	44"	4	6	6	8	8	\$89.87
*	Wall	WSHM52S-WMN1217-574Z	1217'	1					Call For Pricing
*	Wall	WSHM52S-WMN1224-743Z	1224'		1				Call For Pricing
*	Wall	WSHM52S-WMN1526-850Z	1526'			1			Call For Pricing
*	Wall	WSHM52S-WMN1530-938Z	1530'				1		Call For Pricing
*	Wall	WSHM52S-WMN1833-1053Z	1833'					1	Call For Pricing
*	Wall Bar	40335	52"	2	2	2	2	2	\$68.85
*	Hardware YM (4 Uprights)	22-16720		1	2	1	2	2	\$117.30
*	Hardware YM (2 Uprights)	22-16722				1			\$59.05
*	Hardware Stainless Steel	44-10093		1					\$210.56
*	Hardware Stainless Steel	44-10095			1				\$260.73
*	Hardware Stainless Steel	44-10097				1			\$275.89
*	Hardware Stainless Steel	44-10098					1		\$304.10
*	Hardware Stainless Steel	44-10099						1	\$420.87
*	Envelope Safety Stickers	95-0007		1	1	1	1	1	Call For Pricing
*	Installation DVD	36878		1	1	1	1	1	\$15.11

*May not be pictured